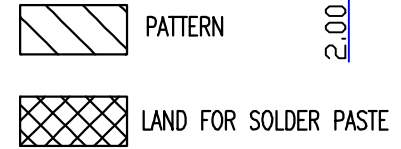
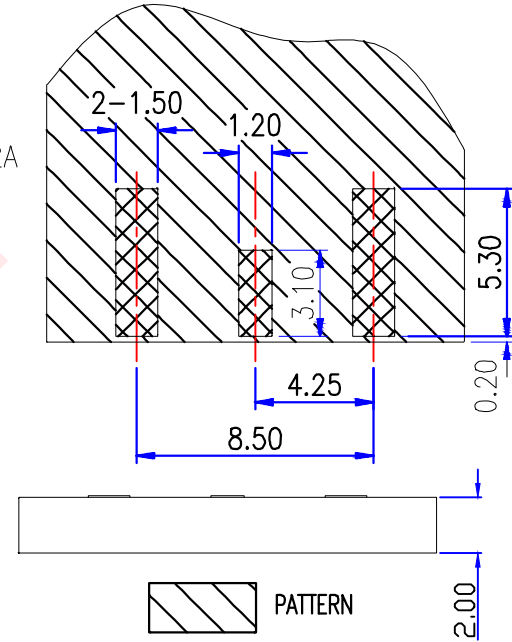
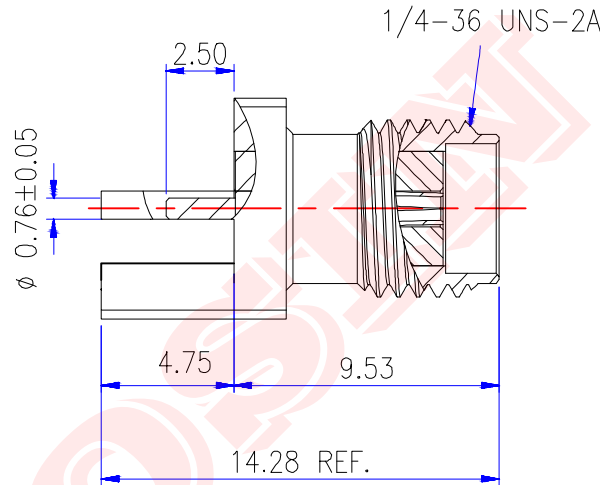
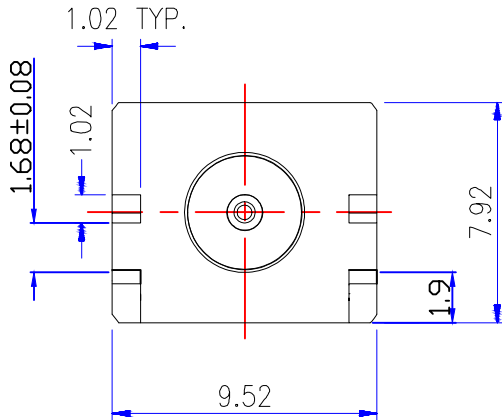


Product NO.		DOSIN-806-0336		
REV	DESCRIPTION	DWN	DATE	APPROVEN
A	First issue	Mr. CHEN	2018/7/10	John kine
B				



P.C.B. LAYOUT DIM.

**Specifications**

Impedance:50 Ohms  
 Frequency Range:DC~3G  
 VSWR:1.3MAX  
 Working Voltage:500V rms @ sea level  
 Insulation Resistance:5000 Ohms min  
 Temperature Range:-65°C TO +165°C  
 Relative Temperature:≤95%(40° C±2° C)  
 Drawings products are in line with ROHS standards

1	Body	Brass	GOLD	NOTE:
2	Insulator	TEFLON	White	
3	CONTACT PIN	BRASS	GOLD	
4				
5				DRAWN
6				Zelin. CHEN
7				CHECKED
8				
9				
10				APPROVALS
NO	Component Number	Material	Finish	

				Tolerance	X. ±0.15 X.X ±0.10 X.XX ±0.05 Angular ±5°
				View	
				UNIT	MM
				SCALE	1:1

**Dosin Industrial (HK) Co. Ltd**  
 东莞市德索五金电子制品有限公司  
**Dosin Hardware Electronics Co., Ltd**

E-mail:dosin2005@163.com  
 dosin2005@dosin-china.com  
 Web:http://www.dosinconn.com  
 TEL:(0086) 769-81153906  
 FAX:(0086) 769-81875836

Name: SMA JACK FOR PCB

SIZE A	Product NO.	REV A
	DOSIN-806-0336	

DateTime: 2018/7/10  
 CAD FILE: H/company drawings/BD  
 SHEET: 1 OF 1