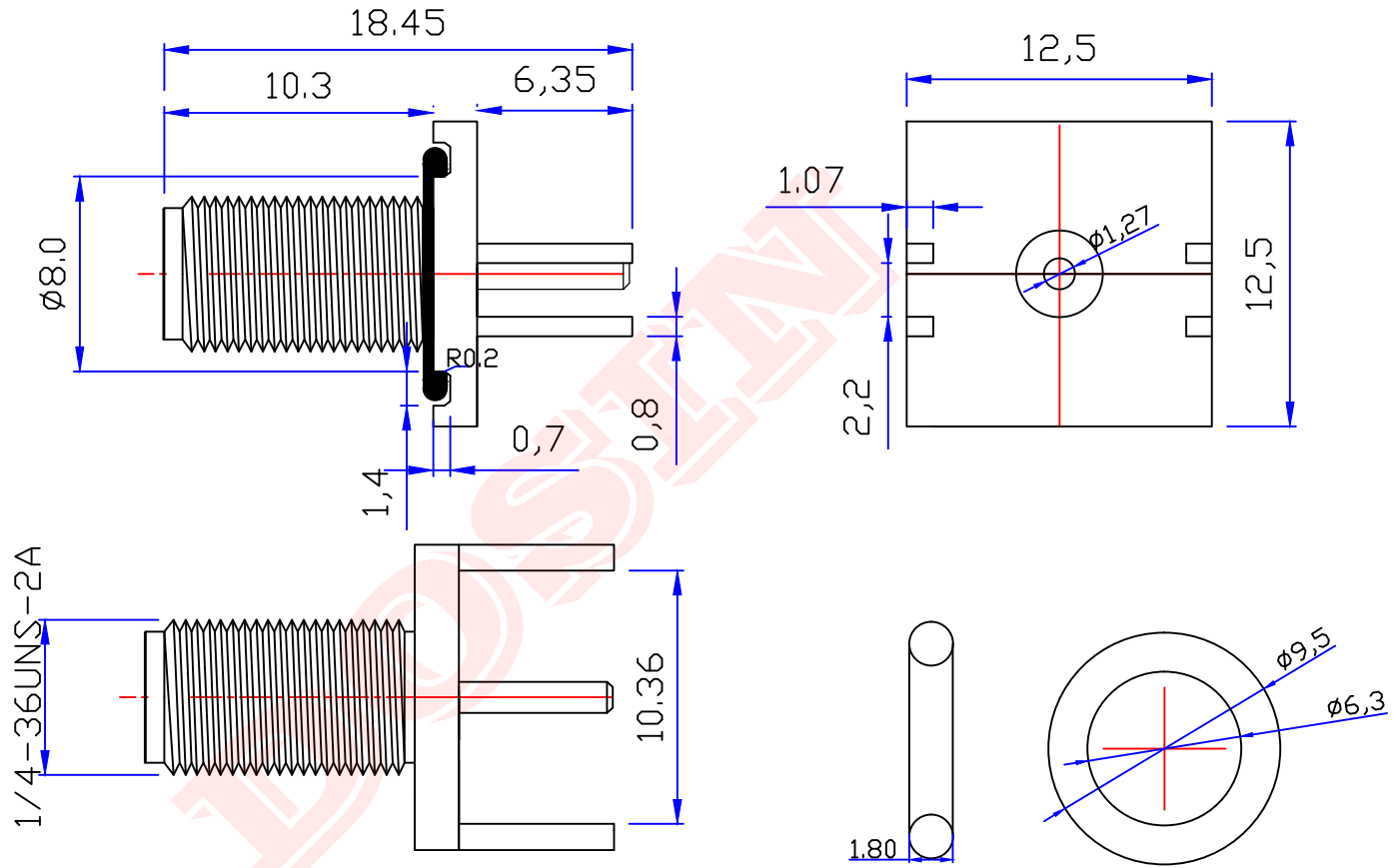




Customer NO:		DOSIN-806-0325		
REV	DESCRIPTION	DWN	DATE	APPROVEN
A	First issue	Mr. CHEN	2018/5/28	John kine
B				



**Specifications:**

IMPEDANCE: 50 Ohms  
 Frequency range: 0~6GHZ  
 VSWR: 1.5MAX  
 Working voltage: 500V rms @ sea level  
 Insulation resistance: 5000 Ohms min  
 Temperature range: -65°C TO +165°C  
 Relative temperature:  $\leq 95\%$  (40° C  $\pm 2^\circ$  C)

1	Body	Brass	GOLD
2	Insulator	TEFLON	White
3	Center contact	Brass	GOLD
4	GASKET	SILICONE	BLACK
5			
6			
NO	Component Number	Material	Finish

NOTE:		Tolerance	X. $\pm 0.15$ X.X $\pm 0.10$ X.XX $\pm 0.05$ Angular $\pm 5^\circ$
DRAWN	Zelin. CHEN	View	
CHECKED		UNIT	MM
APPROVALS	John	SCALE	1:1

<b>Dosing Industrial (HK) Co. Ltd</b> 东莞市德索五金电子制品有限公司 <b>Dosing Hardware Electronics Co., Ltd</b>		E-mail: dosin2005@163.com dosin2005@dosin-china.com Web: http://www.dosinconn.com TEL: (0086) 769-81153906 FAX: (0086) 769-81875836	
Name: SMA JACK CONNECTOR			
SIZE A	Product NO.	DOSIN-806-0325	REV A
DateTime	2018/5/28	CAD FILE	H/company drawings/BD
SHEET: 1 OF 1			