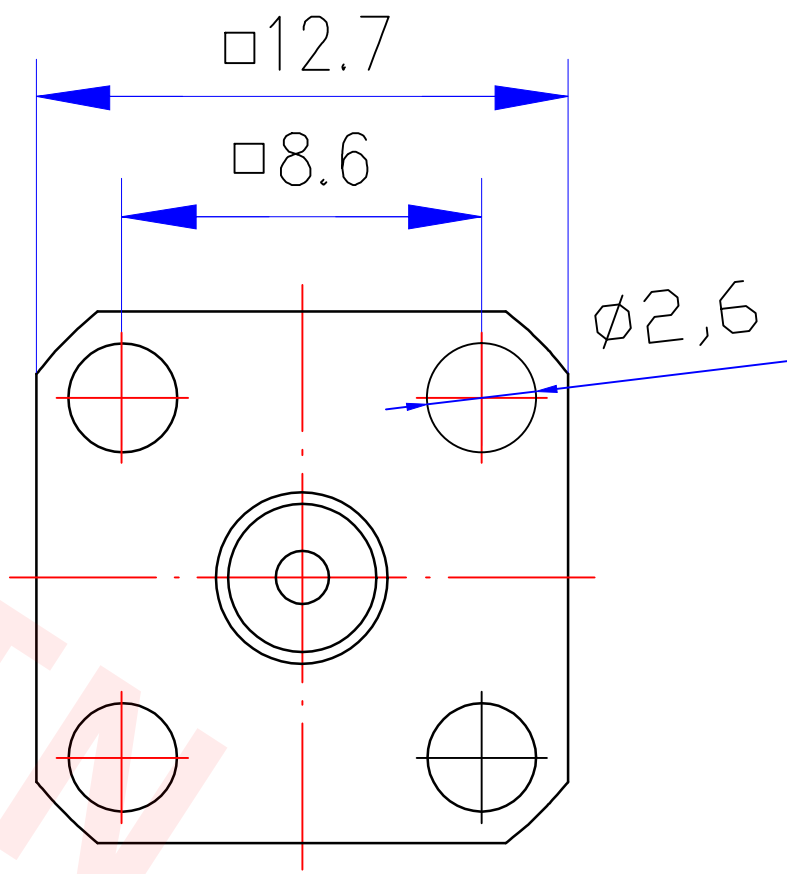
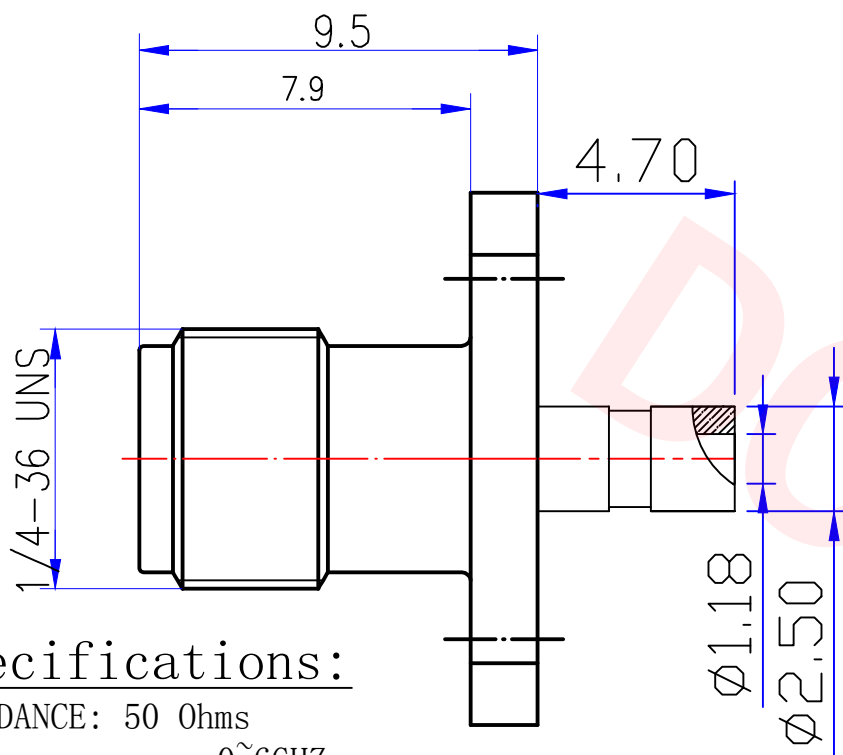




Customer NO:		DOSIN-806-0287		
REV	DESCRIPTION	DWN	DATE	APPROVEN
A	First issue	Mr. chen	2017/6/01	John kine
B				



Specifications:

IMPEDANCE: 50 Ohms
 Frequency range: 0~6GHZ
 VSWR: 1.5MAX
 Working voltage: 500V rms @ sea level
 Insulation resistance: 5000 Ohms min
 Temperature range: -65°C TO +165°C
 Relative temperature: ≤95% (40° C ± 2° C)

8				
7				
6				
5				
4				
3	CONTACT PIN	BRASS	GOLD	1
2	INSULATOR	TEFLON	WHVTE	1
1	BODY	BRASS	GOLD	1
	DESCRIPTION	MATERIAL	FINISH	QTY

NOTE:
 DRAWN
 Zelin.chen
 CHECKED
 John
 APPROVALS
 John

Tolerance
 X. ±0.15
 X.X ±0.10
 X.XX ±0.05
 Angular ±5°
 View

 UNIT
 MM
 SCALE
 1:1

Dosin Industrial (H.K) Co. Ltd
 东莞市德索五金电子制品有限公司
Dosin Hardware Electronics Co., Ltd
 Name: SMA JACK FOR 1.13 CABLE
 SIZE A Product NO. DOSIN-806-0287 REV A
 DateTime 2017/6/01 CAD FILE H/company drawings/BD SHEET: 1 OF 1
 E-mail: dosin2005@163.com
 dosin2005@dosin-china.com
 Web: http://www.dosinconn.com
 TEL: (0086) 769-81153906
 FAX: (0086) 769-81875836