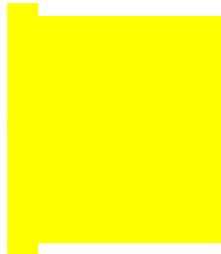
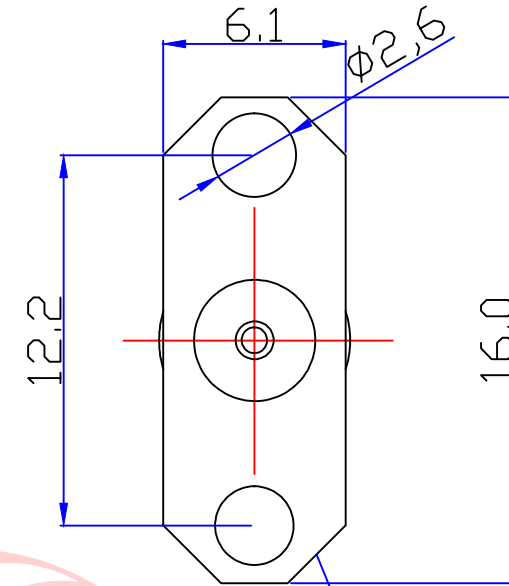
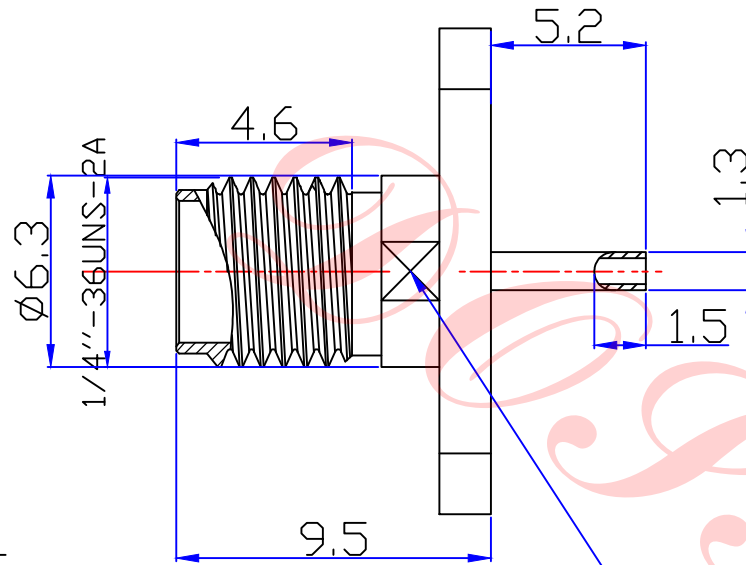




Product NO.		DOSIN-806-0267		
REV	DESCRIPTION	DWN	DATE	APPROVEN
A	First issue	Mr. chen	2017/06/01	John kine
B				



防尘帽



培双边6

C1.9

Specifications:

- IMPEDANCE: 50 Ohms
- Frequency range: 0~6GHZ
- VSWR: 1.5MAX
- Working voltage: 500V rms @ sea level
- Insulation resistance: 5000 Ohms min
- Temperature range: -65°C TO +165°C
- Relative temperature: ≤95% (40° C ± 2° C)

1	Body	Brass	gold	NOTE:	Tolerance	X.	±0.15	<i>Dosin Industrial (H.K) Co. Ltd</i> 东莞市德索五金电子制品有限公司 <i>Dosin Hardware Electronics Co., Ltd</i>	E-mail: dosin2005@163.com	
2	Insulator	TEFLON	White			X.X	±0.10		dosin2005@dosin-china.com	
3	Center contact	Phosphor	gold			X.XX	±0.05		Web: http://www.dosinconn.com	
4						Angular	±5°		TEL: (0086) 769-81153906 FAX: (0086) 769-81875836	
5				DRAWN		Name: SMA Jack FOR PCB				
6				Zelin.chen	View					
7				CHECKED	UNIT	MM	SIZE	Product NO.	REV	
8					SCALE	1:1	A	DOSIN-806-0267	A	
9				APPROVALS			DateTime	CAD FILE		
10	Component Number	Material	Finish	John Kine			2016/06/01	H/company drawings/BD	SHEET: 1 OF 1	