



NOTES:

1. MATERIALS AND FINISHES:

BODY - BRASS, NICKEL PLATING
 CONTACT - BRASS, GOLD PLATING
 INSULATOR - PTFE

2. ELECTRICAL:

A. IMPEDANCE: 50 OHM
 B. FREQUENCY RANGE: DC - 6 GHz
 C. VSWR(RETURN LOSS): 1.20 (-20.82 dB), MAX.

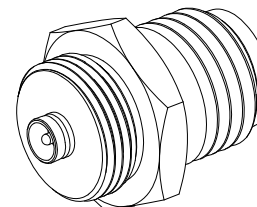
3. MECHANICAL:

A. DURABILITY: 100 CYCLES, MIN.
 B. TEMPERATURE RANGE: -65° C TO +165° C
 C. THIS CONNECTOR WILL WITHSTAND 40 LBS MIN. AXIAL (PULL AND PUSH) FORCE AND 30 LBS MIN. BENDING LOAD WHEN INSTALLED ON A 1.5 MM OR 2 MM AL 5052 PANEL. FACTOR OF SAFETY OF 3 ALREADY TAKEN INTO ACCOUNT. FOR FURTHER INFO PLEASE REFER TO DE2536
 D. TORQUE REQUIRED TO THREAD PART INTO PANEL: 20 IN-LB RECOMMENDED
 E. SHELF LIFE OF THREAD ADHESIVE IS 1 YEAR MINIMUM BEFORE INSTALLING, AND UP TO 4 YEARS DEPENDING ON STORAGE CONDITIONS. FOR BEST RESULTS, STORE BETWEEN 4 AND 38° C.
 F. THREAD ADHESIVE FOR THREAD LOCKING SHOULD BE CURED FOR 24 HOURS AFTER INSTALLING, AND MAY NOT WORK FOR REPEATED DISASSEMBLY.

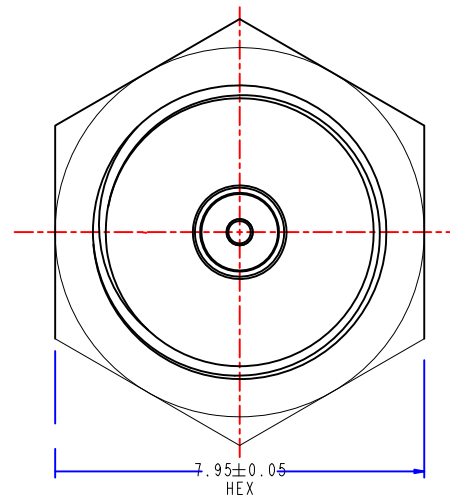
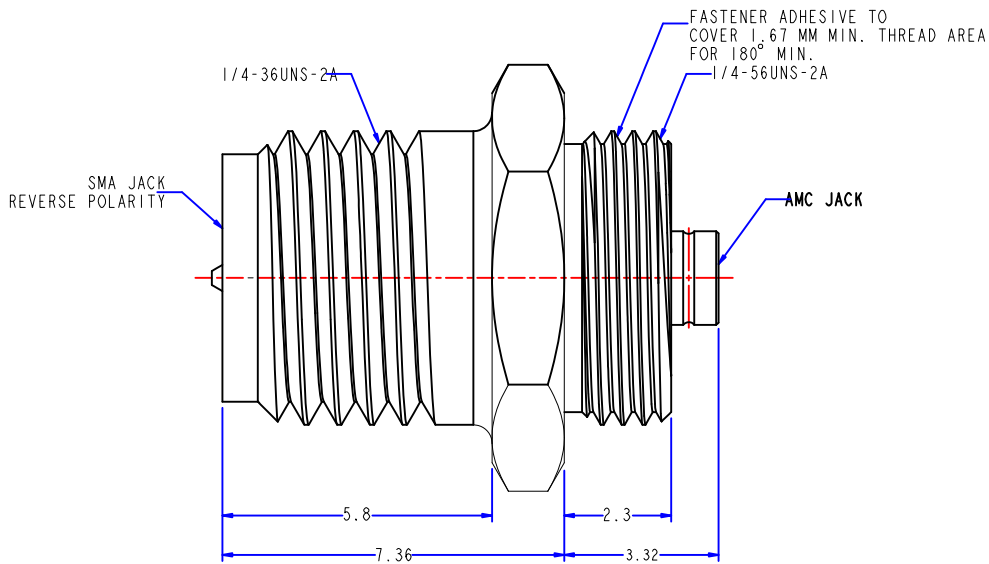
Product NO.

DOSIN-806-0236

REV	DESCRIPTION	DWN	DATE	APPROVEN
A	First issue	Mr.chen	2016/1/21	John kine
B				



SCALE 4.000



NOTE:

DRAWN
Zelin.chen

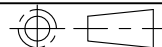
CHECKED

APPROVALS

Tolerance

X.	±0.25
X.X	±0.15
X.XX	±0.10
Angular	±5°

View



UNIT

MM

SCALE

1:1



Dosin Industrial (HK) Co. Ltd

东莞市德索五金电子制品有限公司

Dosin Hardware Electronics Co., Ltd

Name: SMA JACK

E-mail: dosin2005@163.com
 dosin2005@dosin-china.com
 Web: http://www.dosinconn.com
 TEL: (0086) 769-81153906
 FAX: (0086) 769-81875836

SIZE Product NO.

A DOSIN-806-0236

DateTime
2016/1/21

CAD FILE
H/company drawings/BD

SHEET: 1 OF 1