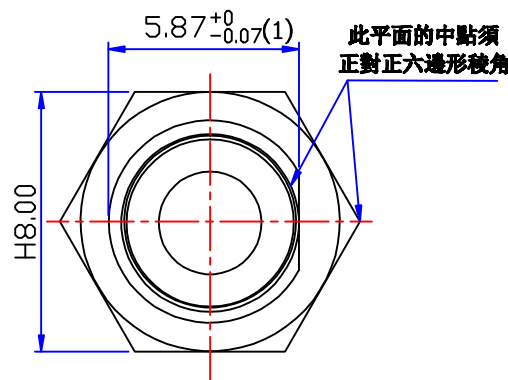
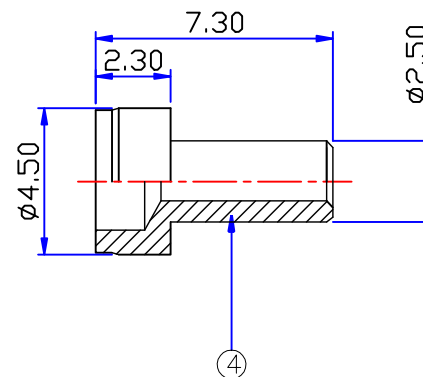
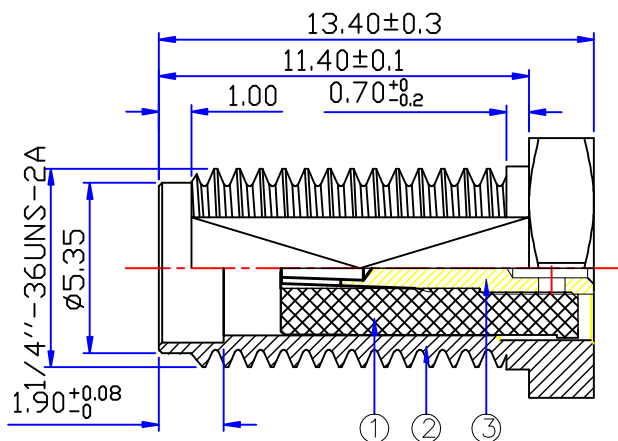
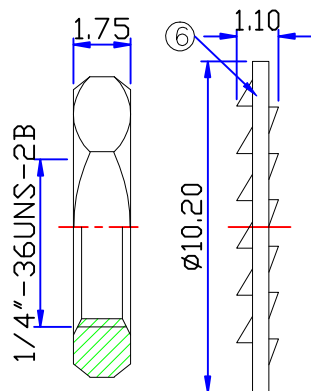




Customer NO:		DOSIN-806-0219		
REV	DESCRIPTION	DWN	DATE	APPROVEN
A	First issue	Mr. chen	2016/2/24	John kine
B				



### Specifications:

- IMPEDANCE: 50 Ohms
- Frequency range: 0~6GHZ
- VSWR: 1.5MAX
- Working voltage: 500V rms @ sea level
- Insulation resistance: 5000 Ohms min
- Temperature range: -55°C TO +155°C
- Relative temperature: ≤95%(40° C±2° C)

8				
7				
6	HEX NUT	BRASS	GOLD	1
5	LOCK WASHER	BRASS	GOLD	1
4	GASKET	SILICONE	RED	1
3	CONTACT PIN	BER. COPPER	GOLD	1
2	INSULATOR	PTFE	NATURAL	1
1	BODY	BRASS	GOLD	1
	DESCRIPTION	MATERIAL	FINISH	QTY

NOTE:		Tolerance	X	±0.15
132119RP			XX	±0.10
DRAWN	Zelin. Zhang	View	XX	±0.05
			CHECKED	Angular
APPROVALS		UNIT	MM	
John Kine			SCALE	1:1

<b>Dosin Industrial (HK) Co. Ltd</b> 东莞市德索五金电子制品有限公司 <b>Dosin Hardware Electronics Co., Ltd</b>		E-mail: dosin2005@163.com dosin2005@dosin-china.com Web: http://www.dosin.com.cn TEL: (0086) 769-81153906 FAX: (0086) 769-81875836	
Name: SMA JACK S/T FOR RF1.13			
SIZE A	Product NO.	DOSIN-806-0219	REV A
DateTime	2016/2/24	CAD FILE	H/company drawings/BD
SHEET: 1 OF 1			