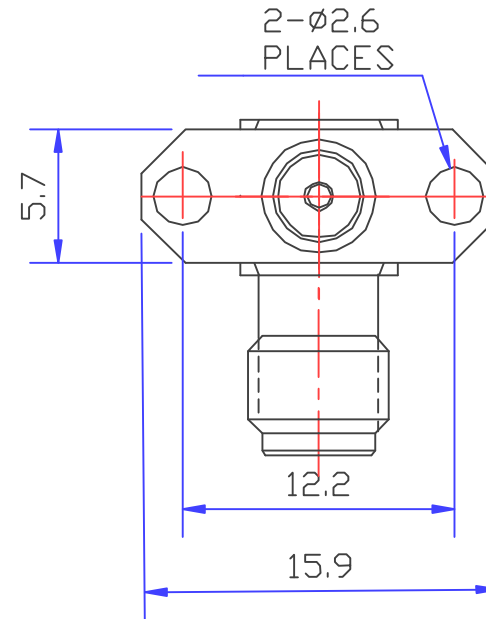
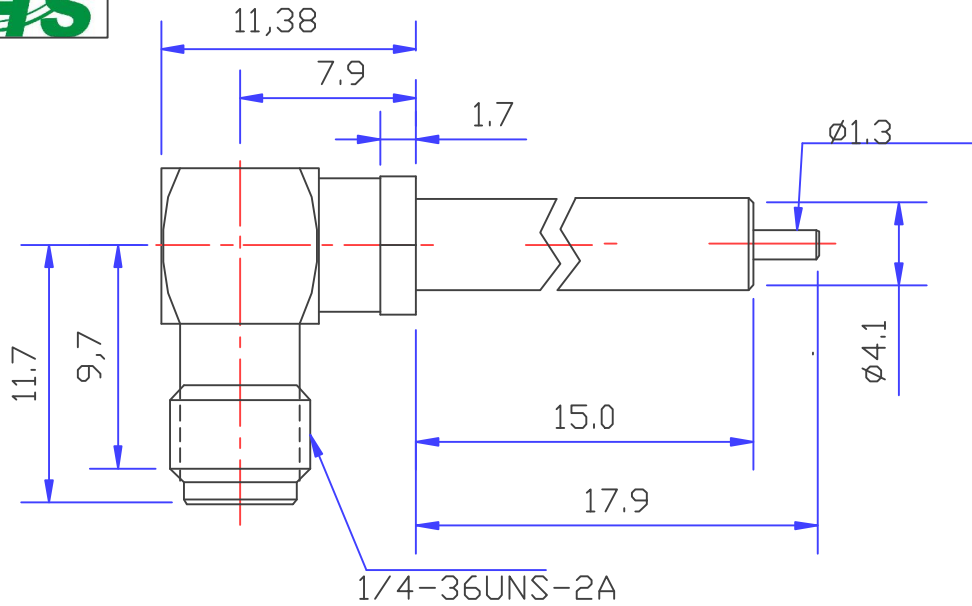




Product NO.		DOSIN-806-0212		
REV	DESCRIPTION	DWN	DATE	APPROVEN
A	First issue	Mr. chen	2015/1/12	John kine
B				



8				
7				
6				
5				1
4	CONTACT PIN	BRASS	GOLD	1
3	INSULATOR	TEFLON	WHVTE	1
2	CONTACT PIN	BER COPPER	GOLD	1
1	BODY	BRASS	GOLD	1
	DESCRIPTION	MATERIAL	FINISH	QTY

NOTE:

Tolerance

X	±0.25
X.X	±0.15
X.XX	±0.10
Angular	±5°



Dosing Industrial (HK) Co. Ltd

东莞市德索五金电子制品有限公司

Dosing Hardware Electronics Co., Ltd

E-mail: dosin2006@163.com
 dosin2006@dosin-china.com
 Web: http://www.dosinconn.com
 TEL: (0086) 769-81153906
 FAX: (0086) 769-81875836

DRAWN
Zelin.chen
CHECKED

View



UNIT

MM

APPROVALS

SCALE

1:1

Name: SMA R/A PANEL JACK

SIZE

Product NO.

DOSIN-806-0212

REV

A

DateTime
2015/1/12

CAD FILE
H/company drawings/BD

SHEET: 1 OF 1