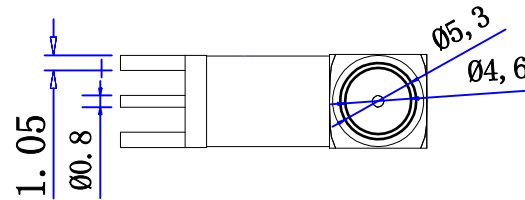
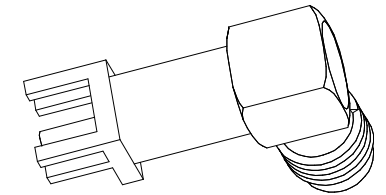
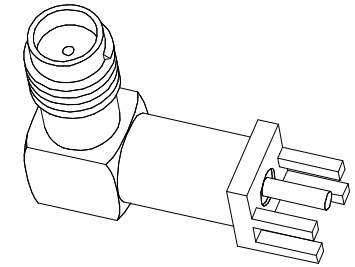
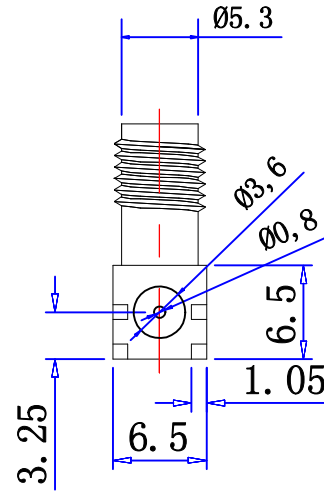
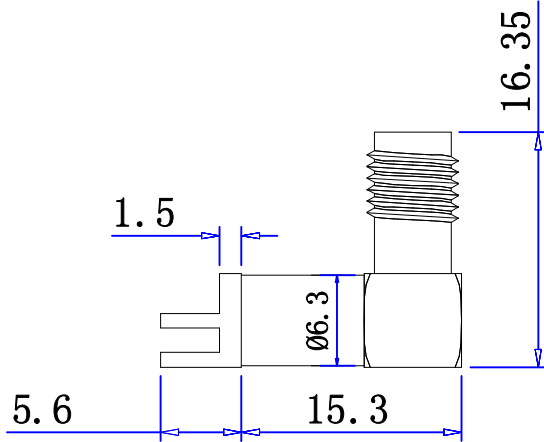
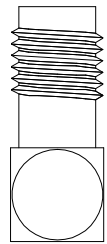




Customer NO:		DOSIN-806-0193		
REV	DESCRIPTION	DWN	DATE	APPROVEN
A	First issue	Mr. CHEN	2016/5/19	John kine
B				



## Specifications:

IMPEDANCE: 50 Ohms

Frequency range: 0~6GHZ

VSWR: 1.5MAX

Working voltage: 500V rms @ sea level

Insulation resistance: 5000 Ohms min

Temperature range: -65°C TO +165°C

Relative temperature: ≤95% (40° C ± 2° C)

1	Body	Brass	GOLD
2	Insulator	TEFLON	White
3	CONTACT PIN	Brass	GOLD
4			
5			
6			
7			
8			
9			
10			
NO	Component Number	Material	Finish

NOTE:	
DRAWN	Zelin.
CHECKED	John Kine
APPROVALS	

Tolerance	X. ±0.15
	X. X ±0.10
	X. XX ±0.05
	Angular ±5°
View	
UNIT	MM
SCALE	1:1

	<b>Dosing Industrial (H K) Co. Ltd</b>	E-mail: dosin2005@163.com
	东莞市德索五金电子制品有限公司	dosin2005@dosin-china.com
	<b>Dosing Hardware Electronics Co., Ltd</b>	Web: http://www.dosinconn.com
		TEL: (0086) 769-81153906
		FAX: (0086) 769-81875836
Name: SMA R/A JACK RIGHT ANGLE PCB MOUNT		
SIZE	Product NO. DOSIN-806-0193	REV
A		A
Date	Time	CAD FILE
2016/5/19		H/company drawings/BD
SHEET: 1 OF 1		