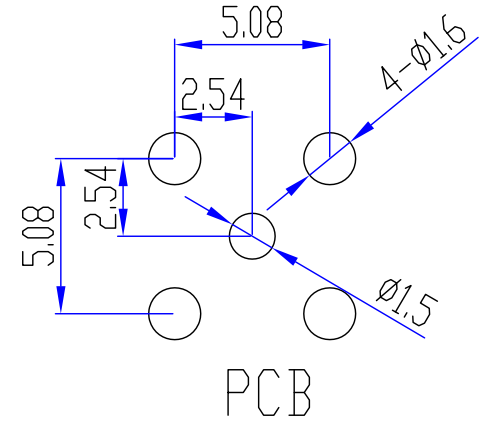
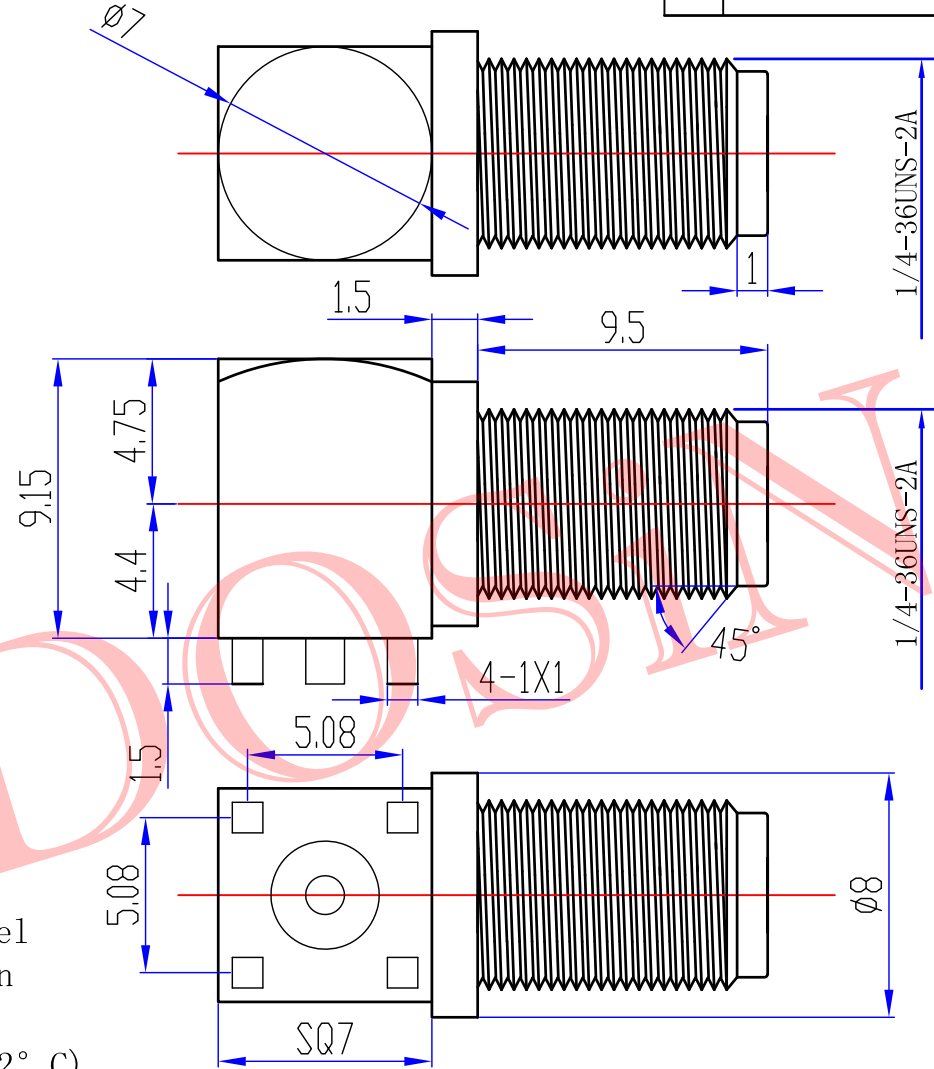




Product NO.		DOSIN-806-0089		
REV	DESCRIPTION	DWN	DATE	APPROVEN
A	First issue	Mr. Wang	2015/04/10	John kine



Specifications:

IMPEDANCE: 50 Ohms
 Frequency range: 0~6GHZ
 VSWR: 1.5MAX
 Working voltage: 500V rms @ sea level
 Insulation resistance: 5000 Ohms min
 Temperature range: -55°C TO +155°C
 Relative temperature: ≤95% (40° C ±2° C)

1	Body	Brass	GOLD:2u"
2	Insulator	TEFLON	White
3	Center contact	Phosphor	GOLD:3u"
4			
5			
6			
7			
8			
9			
10			
NO	Component Number	Material	Finish

NOTE:		
DRAWN	Zelin. Zhang	
CHECKED		
APPROVALS		

Tolerance	X. ±0.15 X.X ±0.10 X.XX ±0.05 Angular ±5°	DOSIN <i>Dosin Industrial (H.K) Co. Ltd</i> 东莞市德索五金电子制品有限公司 <i>Dosin Hardware Electronics Co., Ltd</i>	E-mail: dosin2005@163.com dosin2005@dosin-china.com Web: http://www.dosinconn.com TEL: (0086) 769-81153906 FAX: (0086) 769-81875836
View			Name: SMA Jack
UNIT	MM	SIZE A	Product NO. DOSIN-806-0089
SCALE	1:1	DateTime	2015/04/10
		CAD FILE	H/company drawings/BD
		SHEET:	1 OF 1