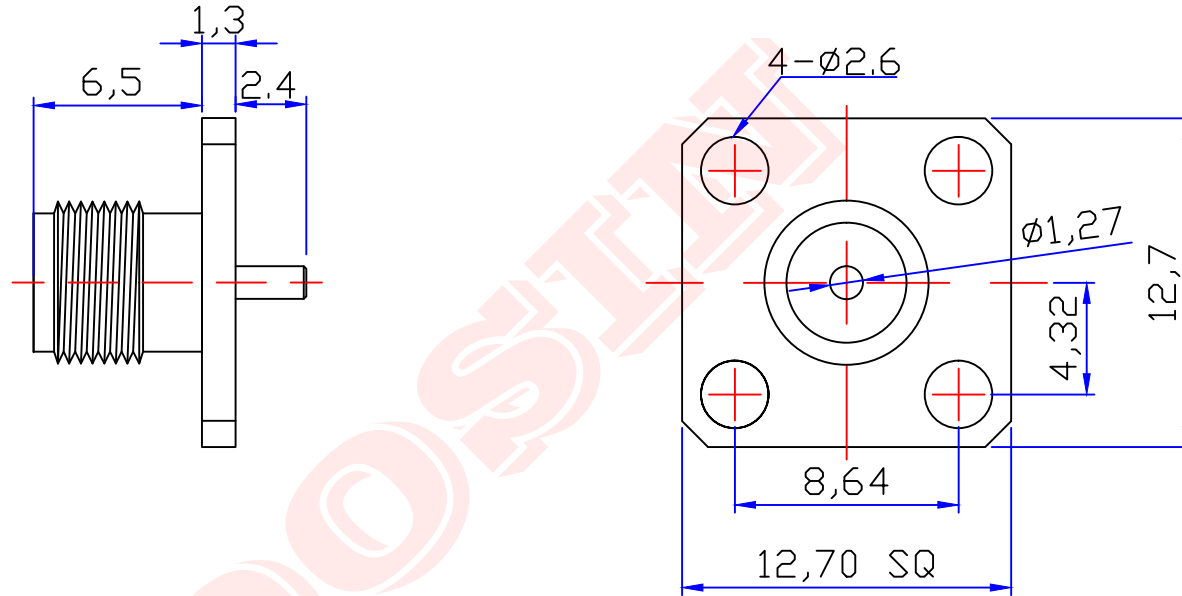




Product NO.		DOSIN-806-0028		
REV	DESCRIPTION	DWN	DATE	APPROVEN
A	First issue	Mr. Wang	2012/05/06	John kine



Specifications:

IMPEDANCE: 50 Ohms
 Frequency range: 0~6GHZ
 VSWR: 1.5MAX
 Working voltage: 500V rms @ sea level
 Insulation resistance: 5000 Ohms min
 Temperature range: -55°C TO +155°C
 Relative temperature: ≤95% (40° C ± 2° C)

1	Body	Brass	Au:1u"	NOTE:	Tolerance	X.	±0.15	Dosin Industrial (HK) Co., Ltd 东莞市德索五金电子制品有限公司 Dosin Hardware Electronics Co., Ltd	E-mail: dosin2005@163.com
2	Insulator	TEFLON	White			X.X	±0.10		dosin2005@dosin-china.com
3	Center contact	Phosphor	Au:3u"			X.XX	±0.05		Web: http://www.dosinconn.com
4						Angular	±5°		TEL: (0086) 769-81153906
5				DRAWN	2012/05/			FAX: (0086) 769-81875836	
6				Zelin. Zhang	06	View		Name: SMA panel jack 4-hole square flange mount	
7				CHECKED		UNIT	MM	SIZE A Product NO. DOSIN-806-0028 REV A	
8				APPROVALS		SCALE	1:1	DateTime 2012/05/06 CAD FILE H/company drawings/BD SHEET: 1 OF 1	
9	Component Number	Material	Finish	John	06/05.2012				