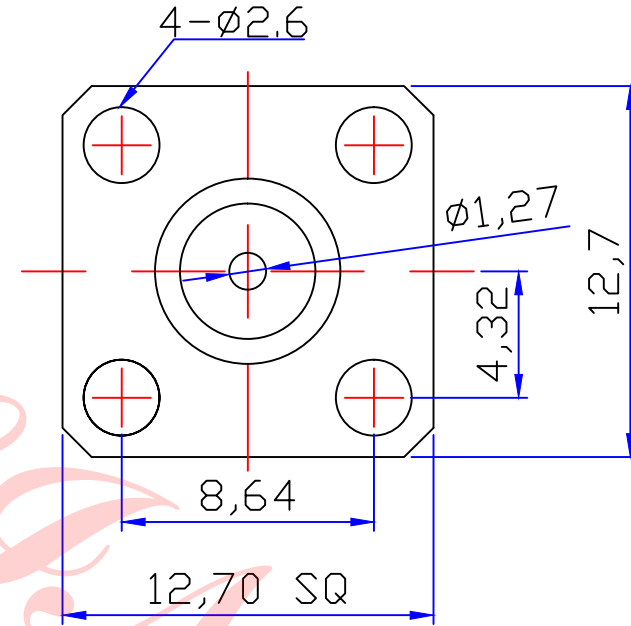
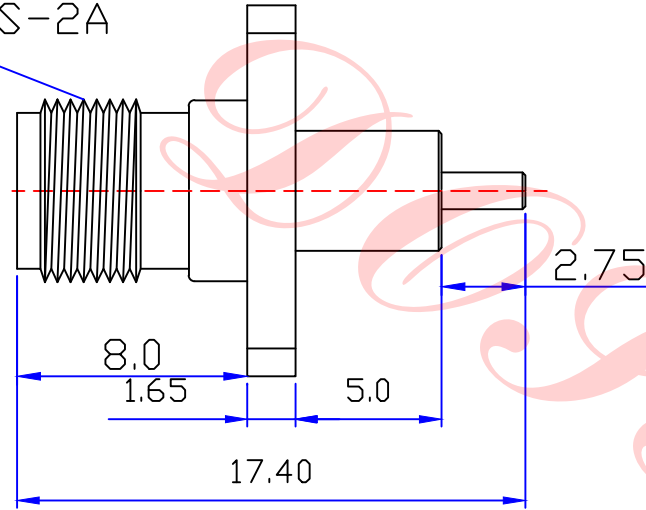




Product NO.		DOSIN-806-0025		
REV	DESCRIPTION	DWN	DATE	APPROVEN
A	First issue	Mr. Wang	2012/05/06	John kine

1/4-36UNS-2A



Specifications:

IMPEDANCE: 50 Ohms
 Frequency range: 0~6GHZ
 VSWR: 1.5MAX
 Working voltage: 500V rms @ sea level
 Insulation resistance: 5000 Ohms min
 Temperature range: -55°C TO +155°C
 Relative temperature: ≤95% (40° C ± 2° C)

1	Body	Brass	Au:1u"	NOTE:	Tolerance	X.	±0.15	Dosing Industrial (H.K) Co. Ltd 东莞市德索五金电子制品有限公司 Dosing Hardware Electronics Co., Ltd	E-mail: dosin2005@163.com	
2	Insulator	TEFLON	White			X.X	±0.10		dosin2005@dosin-china.com	
3	Center contact	Phosphor	Au:3u"			X.XX	±0.05		Web: http://www.dosinconn.com	
4						Angular	±5°		TEL: (0086) 769-81153906 FAX: (0086) 769-81875836	
5				DRAWN	2012/05/	Name: SMA panel jack 4-hole square flange mount				
6				Zelin. Zhang	06	View		SIZE	Product NO.	REV
7				CHECKED		UNIT	MM	A	DOSIN-806-0025	A
8				APPROVALS		SCALE	1:1	DateTime	CAD FILE	
9				John	06/05.2012			2012/05/06	H/company drawings/BD	SHEET: 1 OF 1
10	Component Number	Material	Finish	APPROVALS	SCALE					
	A	B	Kine	D	E	F	G			