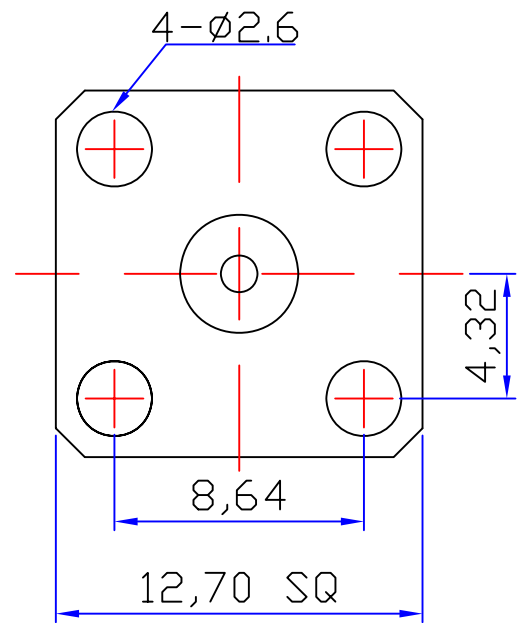
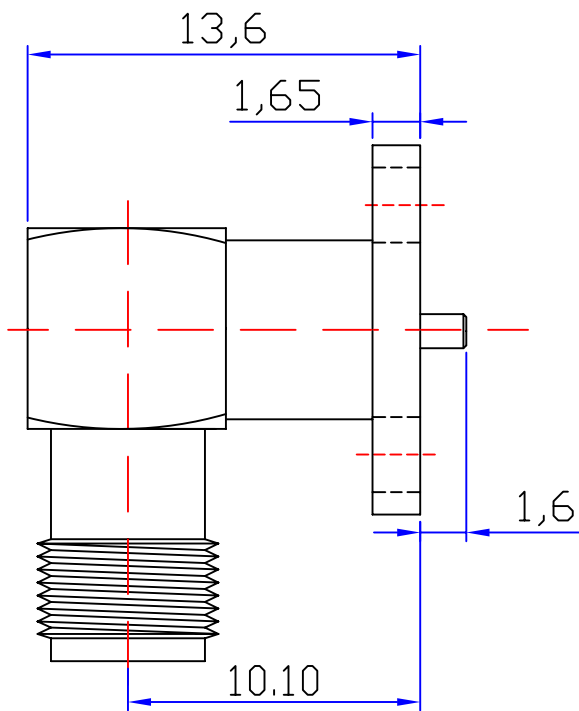




Product NO.		DOSIN-806-0014		
REV	DESCRIPTION	DWN	DATE	APPROVEN
A	First issue	Mr. Wang	2009/08/07	John kine
B	Add :DOSIN-806-0014	Zelin. Zhang	2012/05/06	John kine



Specifications:

IMPEDANCE: 50 Ohms
 Frequency range: 0~6GHZ
 VSWR: 1.5MAX
 Working voltage: 500V rms @ sea level
 Insulation resistance: 5000 Ohms min
 Temperature range: -55°C TO +155°C
 Relative temperature: ≤95% (40° C ± 2° C)

1	Body	Brass	Au: 1u"
2	Insulator	TEFLON	White
3	Center contact	Phosphor	Au: 3u"
4			
5			
6			
7			
8			
9			
10			
NO	Component Number	Material	Finish

NOTE:		Tolerance	X.	±0.15
			X.X	±0.10
		View	X.XX	±0.05
			Angular	±5°
DRAWN	2012/05/06	UNIT	MM	
Zelin. Zhang			SCALE	1:1
CHECKED		APPROVALS		
		John Kine 06/05.2012		

Dosin Industrial (HK) Co. Ltd
 东莞市德索五金电子制品有限公司
Dosin Hardware Electronics Co., Ltd

E-mail: dosin2005@163.com
 dosin2005@dosing-china.com
 Web: http://www.dosinconn.com
 TEL: (0086) 769-81153906
 FAX: (0086) 769-81875836

Name: SMA panel jack 4-hole square flange mount (R/A)
 SIZE A Product NO. DOSIN-806-0014 REV B
 DateTime 2012/05/06 CAD FILE H/company drawings/BD SHEET: 1 OF 1