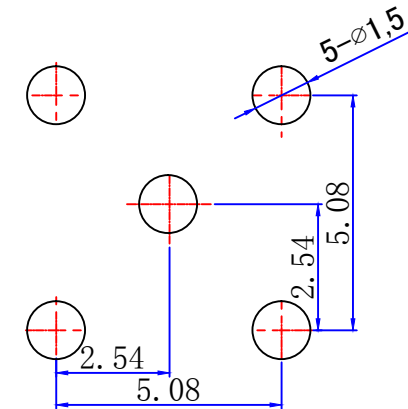
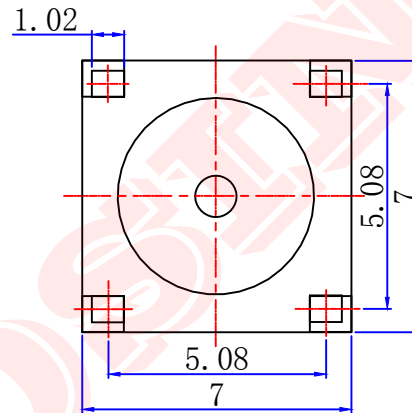
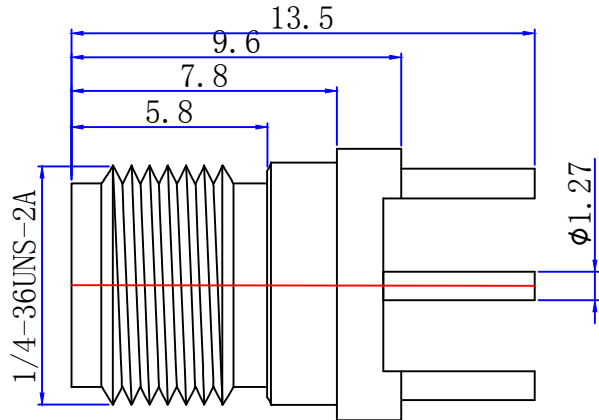




Product NO. DOSIN-806-0011				
REV	DESCRIPTION	DWN	DATE	APPROVEN
A	First issue	Mr.chen	2018/12/12	John kine



PCB

Specifications:

IMPEDANCE: 50 Ohms
 Frequency range: 0~6GHZ
 VSWR: 1.5MAX
 Working voltage: 500V rms @ sea level
 Insulation resistance: 5000 Ohms min
 Temperature range: -65°C TO +165°C
 Relative temperature: ≤95% (40° C ± 2° C)

1	Body	Brass	Au:1u"	NOTE:	Tolerance	X.	±0.20	Dosin Industrial (HK) Co., Ltd 东莞市德索五金电子制品有限公司 Dosin Hardware Electronics Co., Ltd	E-mail: dosin2005@163.com
2	Insulator	TEFLON	White			X.X	±0.15		dosin2005@dosin-china.com
3	Center contact	Phosphor	Au:3u"			X.XX	±0.08		Web: http://www.dosinconn.com
4						Angular	±5°		TEL: (0086) 769-81153906
5							FAX: (0086) 769-81875836		
6				DRAWN	2018/12/12	Name: SMA Jack FOR PCB Connector			
7				Zelin.chen	12	View			
8				CHECKED		UNIT	MM	SIZE A	Product NO. DOSIN-806-0011
9						SCALE	1:1	REV A	
10	Component Number	Material	Finish	APPROVALS	12/12.2018	DateTime	2018/12/12	CAD FILE	H/company drawings/BD
				John					SHEET: 1 OF 1