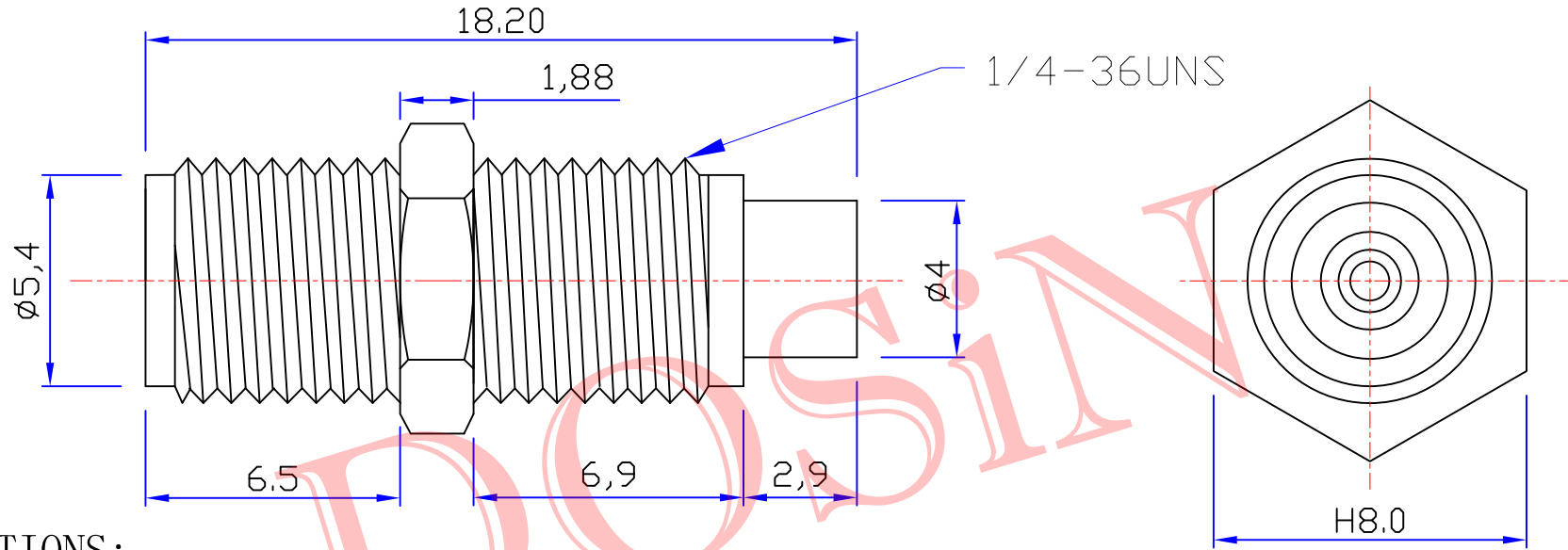




Product NO.		DOSIN-806-0007		
REV	DESCRIPTION	DWN	DATE	APPROVEN
A	First issue	Mr. Wang	2009/08/07	John kine



**SPECIFICATIONS:**

Impedance: 50 Ohms  
 Frequency Range: DC~3G  
 VSWR: 30dB Return loss @ 1GHZ  
 Working Voltage: 15 watts continuous  
 Insulation Resistance: 5000 Ohms min  
 Temperature Range: -40°C TO +60°C  
 Drawings products are in line with ROHS standards

1	Body	BARSS	Gold	NOTE:	Tolerance	X.	±0.15	<b>Dosin Industrial (H.K) Co. Ltd</b> 东莞市德索五金电子制品有限公司 <b>Dosin Hardware Electronics Co., Ltd</b>	E-mail: dosin2005@163.com	
2	Insulator	POM	White			X.X	±0.10		dosin2005@dosin-china.com	
3	Center contact	BARSS	Gold			X.XX	±0.05		Web: http://www.dosinconn.com	
4					Angular	±5°	TEL: (0086) 769-81153906			
5				DRAWN	2012/05/	FAX: (0086) 769-81875836				
6				Zelin. Zhang	06	View			Name: SMA CONNECTOR	
7				CHECKED		UNIT	MM	SIZE	Product NO.	REV
8						SCALE	1:1	A	DOSIN-806-0007	A
9				APPROVALS		DateTime	2012/05/06	CAD FILE		SHEET: 1 OF 1
10	Component Number	Material	Finish	John	06/05.2012	H/company drawings/BD				