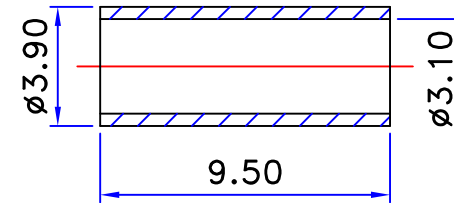
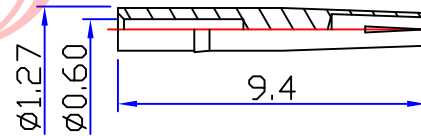
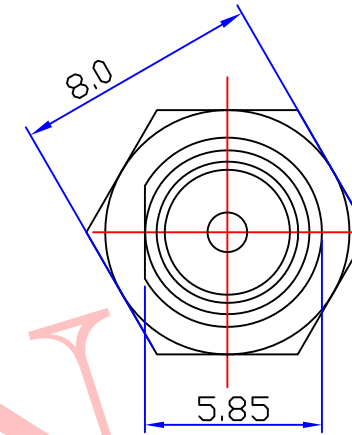
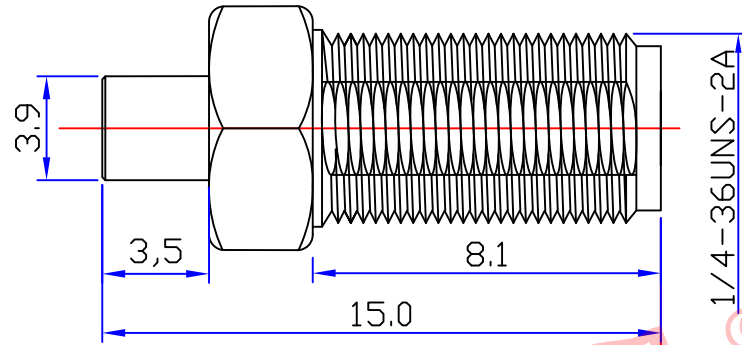




Product NO.		DOSIN-806-0006 (15mm)		
REV	DESCRIPTION	DWN	DATE	APPROVEN
A	First issue	Mr. Wang	2012/05/06	John kine



Specifications:

IMPEDANCE: 50 Ohms
 Frequency range: 0~6GHZ
 VSWR: 1.5MAX
 Working voltage: 500V rms @ sea level
 Insulation resistance: 5000 Ohms min
 Temperature range: -55°C TO +155°C
 Relative temperature: ≤95% (40° C ± 2° C)

1	Body	Brass	Au: 1u"
2	Insulator	TEFLON	White
3	Center contact	Phosphor	AU: 3u"
4	Ferrule	Brass	Au: 1u"

NOTE:		Tolerance	X.	±0.15
DRAWN			X.X	±0.10
Zelin. Zhang		View	X.XX	±0.05
2012/05/06			Angular	±5°
CHECKED		UNIT	MM	
APPROVALS		SCALE	1:1	
John		DateTime		
06/05.2012		2012/05/06		

Dosin Industrial (HK) Co. Ltd 东莞市德索五金电子制品有限公司 Dosin Hardware Electronics Co., Ltd		E-mail: dosin2005@163.com dosin2005@dosin-china.com Web: http://www.dosinconn.com TEL: (0086) 769-81153906 FAX: (0086) 769-81875836	
Name: SMA Jack Straight For RG/316			
SIZE	Product NO.	REV	
A	DOSIN-806-0006 (15mm)	A	
DateTime		CAD FILE	SHEET: 1 OF 1
2012/05/06		H/company drawings/BD	