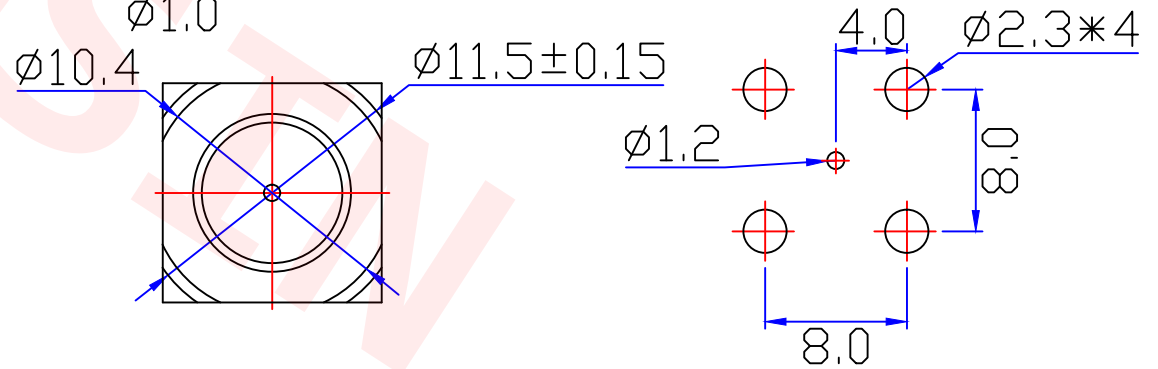
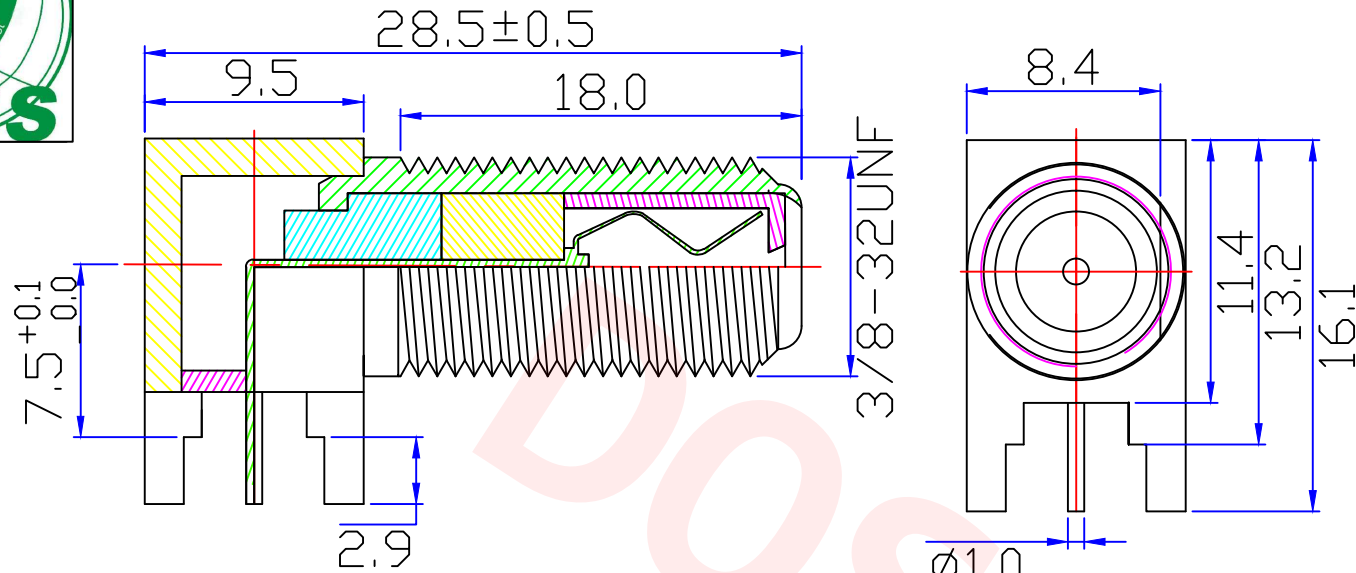




Product NO.		DOSIN-803-0280		
REV	DESCRIPTION	DWN	DATE	APPROVEN
A	First issue	Mr. chen	2017/12/27	John kine
B				



PCB

SPECIFICATIONS:

- Impedance: 75 Ohms
- Frequency Range: DC~3G
- VSWR: 30dB Return loss @ 1GHZ
- Working Voltage: 15 watts continuous
- Insulation Resistance: 5000 Ohms min
- Temperature Range: -40°C TO +60°C
- Drawings products are in line with ROHS standards

1	Body	BRASS	NI:80-120u"
2	Insulator	PP	White
3	Center contact	Phosphor	SN:80-120u"
4			
5			
6			
7			
8			
9			
10			
NO	Component Number	Material	Finish

NOTE:	
DRAWN	2017/12/27
Zelin.CHEN	27
CHECKED	
APPROVALS	
John	27/12.2017

Tolerance	X. ±0.15
	X.X ±0.10
	X.XX ±0.05
	Angular ±5°
View	
UNIT	MM
SCALE	1:1

Dosin Industrial (HK) Co. Ltd 东莞市德索五金电子制品有限公司 Dosin Hardware Electronics Co., Ltd		E-mail: dosin2005@163.com dosin2005@dosin-china.com Web: http://www.dosinconn.com TEL: (0086) 769-81153906 FAX: (0086) 769-81875836	
Name: F Jack Right angle PCB Mount			
SIZE	Product NO.	REV	
A	DOSIN-803-0280	A	
Date	CAD FILE	SHEET: 1 OF 1	
Time	H/company drawings/BD		
2017/12/27			