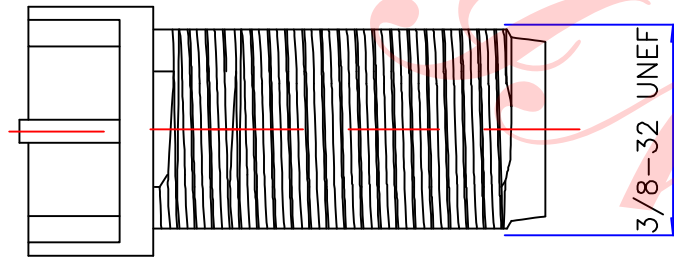
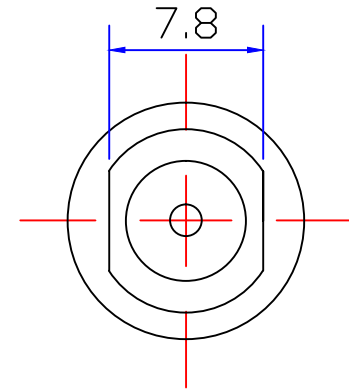
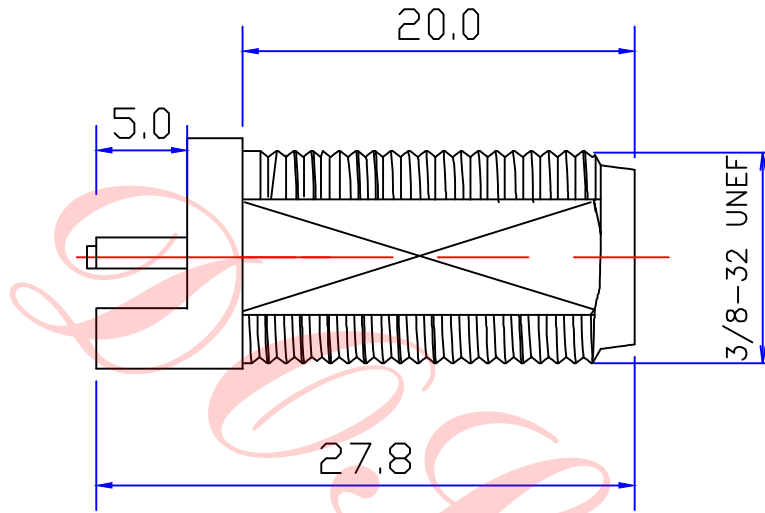
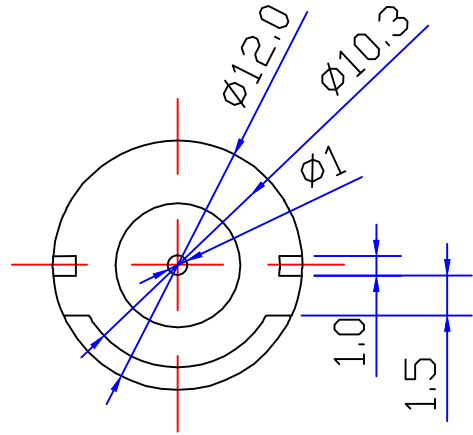




Product NO.		DOSIN-803-0252		
REV	DESCRIPTION	DWN	DATE	APPROVEN
A	First issue	Mr. chen	2017/2/18	John kine
B				



### Specifications

Impedance: 75 Ohms  
 Frequency Range: DC~3G  
 VSWR: 30dB Return loss @ 1GHZ  
 Working Voltage: 15 watts continuous  
 Insulation Resistance: 5000 Ohms min  
 Temperature Range: -40°C TO +60°C  
 Drawings products are in line with ROHS standards

1	Body	Brass	NI:80-120u"
2	Insulator	POM	None
3	Center contact	Phosphor	SN
4			
5			
6			
7			
8			
9			
10			
NO	Component Number	Material	Finish

NOTE:		Tolerance	X. ±0.15
			X.X ±0.10
			X.XX ±0.05
			Angular ±5°
DRAWN	2017/2/18	View	
Zelin.chen		UNIT	MM
CHECKED		SCALE	1:1
APPROVALS		DateTime	2017/2/18
John		CAD FILE	D/company drawings/BD

<b>Dosin Industrial (H.K) Co., Ltd</b> 东莞市德索五金电子有限公司 Dosin Hardware Electronics Co., Ltd		E-mail: dosin2005@163.com dosin2005@dosin-china.com Web: http://www.dosinconn.com TEL: (0086) 769-81153906 FAX: (0086) 769-81875836	
Name: F JACK FOR pcb			
SIZE	Product NO.	REV	
A	DOSIN-803-0252	a	
DateTime		SHEET: 1 OF 1	
2017/2/18			