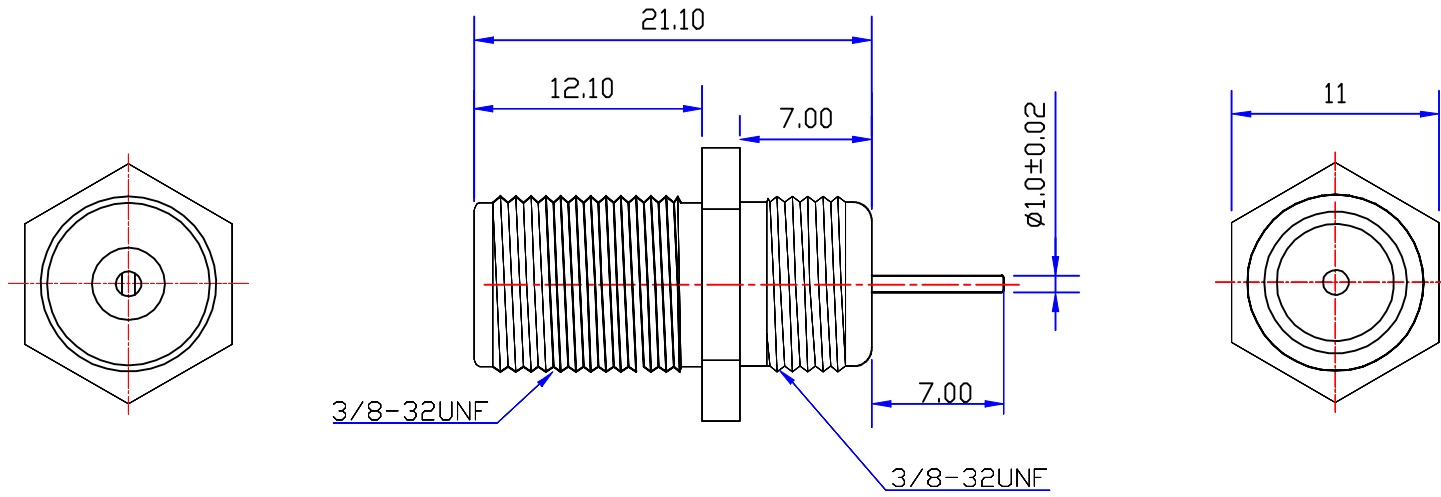




Product NO.		DOSIN-803-0213		
REV	DESCRIPTION	DWN	DATE	APPROVEN
A	First issue	Mr. ZHANG	2016/05/03	John kine



SPECIFICATIONS:

Impedance: 75 Ohms
 Frequency Range: DC~3G
 VSWR: 30dB Return loss @ 1GHZ
 Working Voltage: 15 watts continuous
 Insulation Resistance: 5000 Ohms min
 Temperature Range: -40°C TO +60°C

Drawings products are in line with ROHS standards

1	F Body	BRASS	NI
2	HOLDER	IRON	SN
3	SHIELD	IRON	SN
4			
5			
6			
7			
8			
9			
10			
NO	Component Number	Material	Finish

NOTE:	
DRAWN	2016/05/03
Zelin. Zhang	
CHECKED	
APPROVALS	03/05.2016
John Kine	

Tolerance	X. ±0.15 X.X ±0.10 X.XX ±0.05 Angular ±5°
View	
UNIT	MM
SCALE	1:1

DOSIN -RF CONNECTOR
Dosin Industrial (H K) Co, Ltd
 东莞市德索五金电子制品有限公司
Dosin Hardware Electronics Co., Ltd

F-mail: dosin2005@163.com
 dosin2005@dosin-china.com
 Web: http://www.dosinconn.com
 TEL: (0086) 769-81153906
 FAX: (0086) 769-81875836

Name: F Jack

SIZE	Product NO.	REV
A	DOSIN-803-0213	A

DateTime: 2016/05/03
 CAD FILE: H/company drawings/BD
 SHEET: 1 OF 1