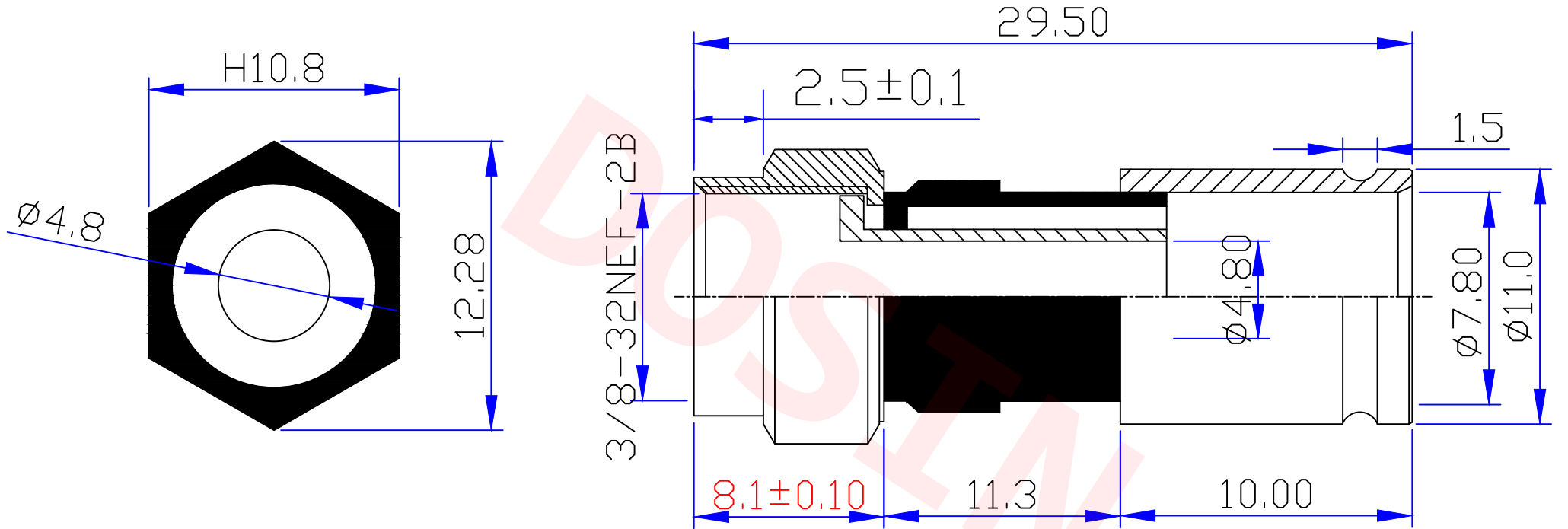




Product NO.		DOSIN-803-0202		
REV	DESCRIPTION	DWN	DATE	APPROVEN
A	First issue	Mr. CHEN	2016/09/07	John kine
B				



1	Body	Brass	NICKEL	NOTE:	Tolerance	X.	± 0.15	Dosin Industrial (H.K) Co. Ltd 东莞市德索五金电子制品有限公司 Dosin Hardware Electronics Co., Ltd	E-mail: dosin2005@163.com
2	Insulation	ABS	BLACK			X.X	± 0.10		dosin2005@dosin-china.com
3						X.XX	± 0.05		Web: http://www.dosinconn.com
4						Angular	$\pm 5^\circ$		TEL: (0086) 769-81153906
5							FAX: (0086) 769-81875836		
6				DRAWN	2016/03/08	View		Name:	F PLUG FOR RG6 CABLE
7				Zelin. CHEN		UNIT	MM	SIZE	Product NO.
8				CHECKED		SCALE	1:1	A	DOSIN-803-0202
9				APPROVALS	John	Date	2016/09/07	CAD FILE	H/company drawings/BD
10	Component Number	Material	Finish	John	30/03.2016	SCALE	1:1	Date	2016/09/07
	A	B		Kine	D			E	F
									G