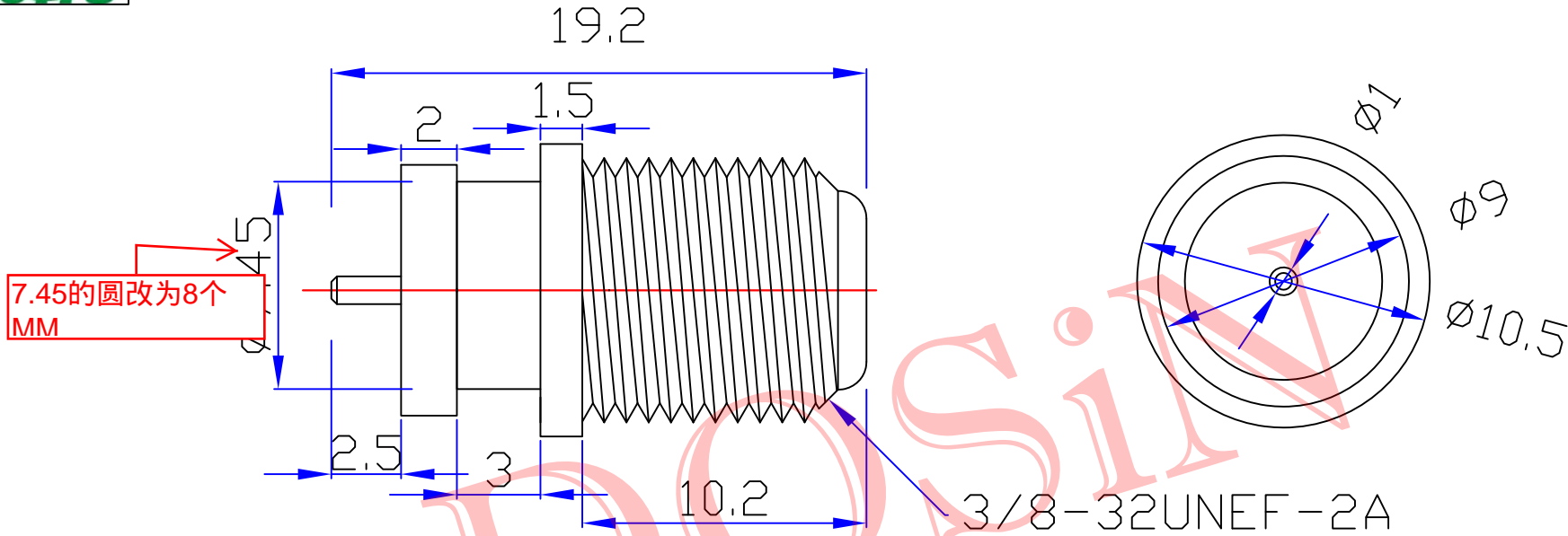




Product NO.		DOSIN-803-0030		
REV	DESCRIPTION	DWN	DATE	APPROVEN
A	First issue	Mr. Wang	2015/03/30	John kine
B				



SPECIFICATIONS:

Impedance: 75 Ohms
 Frequency Range: DC~3G
 VSWR: 30dB Return loss @ 1GHZ
 Working Voltage: 15 watts continuous
 Insulation Resistance: 5000 Ohms min
 Temperature Range: -40°C TO +60°C
 Drawings products are in line with ROHS standards

1	Body	Brass	NI:80-120u"	NOTE:	Tolerance	X.	±0.15	Dosin Industrial (H.K) Co. Ltd 东莞市德索五金电子制品有限公司 Dosin Hardware Electronics Co., Ltd	E-mail: dosin2005@163.com		
2	Insulator	PP	White			X.X	±0.10		dosin2005@dosin-china.com		
3	Center contact	Phosphor	Gold			X.XX	±0.05		Web: http://www.dosinconn.com		
4					Angular	±5°	TEL: (0086) 769-81153906	FAX: (0086) 769-81875836			
5				DRAWN	2012/05/	View		Name: F Jack Connector			
6				Zelin. Zhang	06			UNIT	MM	SIZE	Product NO.
7				CHECKED						A	DOSIN-803-0030
8				APPROVALS		SCALE	1:1	DateTime	CAD FILE		
9				John	06/05.2012			2015/03/30	H/company drawings/BD		
10	Component Number	Material	Finish						SHEET: 1 OF 1		