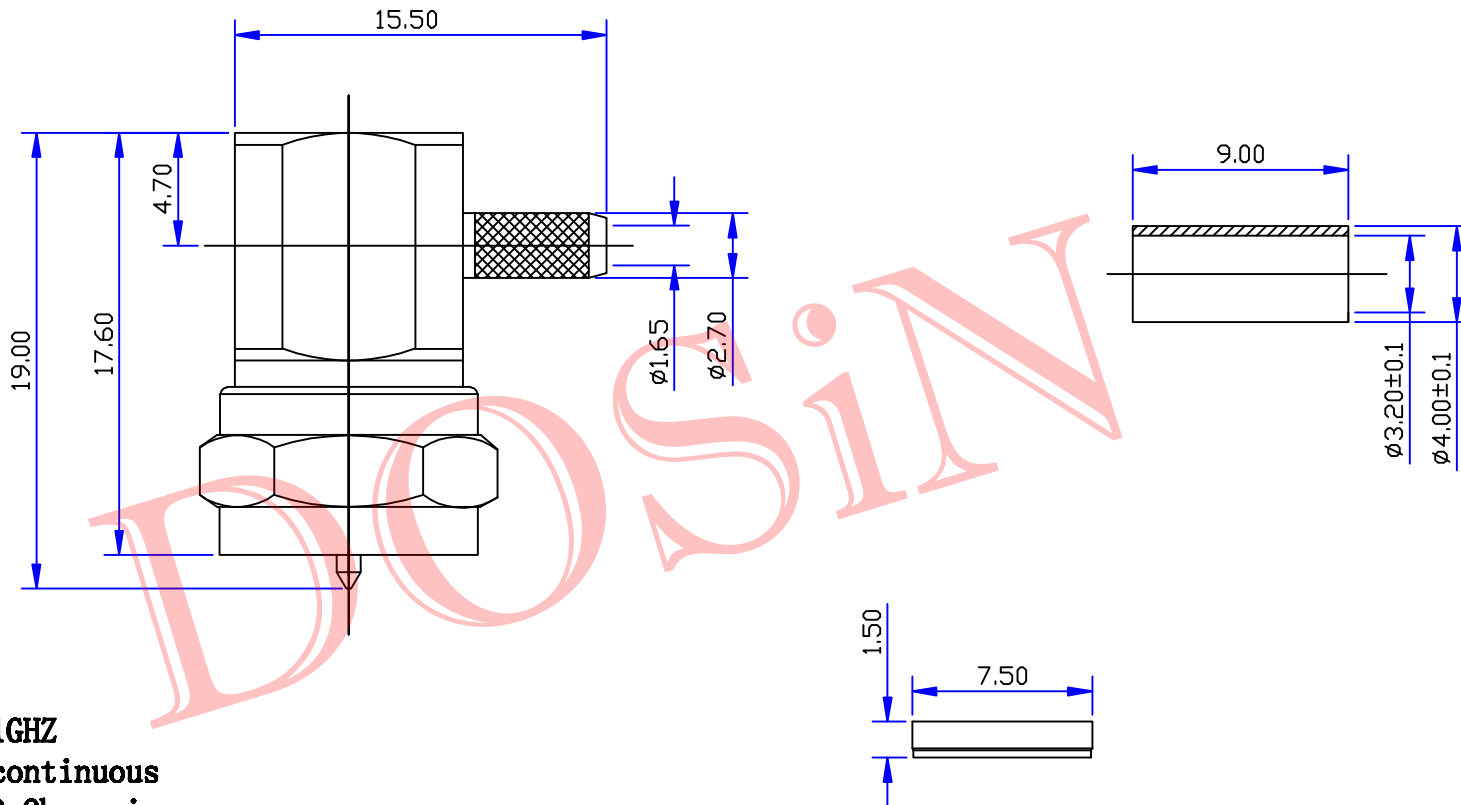




Product NO.		DOSIN-803-0028		
REV	DESCRIPTION	DWN	DATE	APPROVEN
A	First issue	Mr. Wang	2010/08/07	John kine
B	Add :DOSIN-803-0028	Zelin. Zhang	2012/09/30	John kine



SPECIFICATIONS:

Impedance: 75 Ohms
 Frequency Range: DC~3G
 VSWR: 30dB Return loss @ 1GHZ
 Working Voltage: 15 watts continuous
 Insulation Resistance: 5000 Ohms min
 Temperature Range: -40°C TO +60°C
 Drawings products are in line with ROHS standards

1	Shell	Brass	NI:80-120u"
2	Body	Brass	NI:80-120u"
3	Insulator	Pom	White
4	Center contact	Brass	Au:3u"
5	Side cover	Brass	NI:80-120u"
6	Ferrule	Brass	NI:80-120u"

NOTE:	
DRAWN	2012/09/30
Zelin. Zhang	
CHECKED	
APPROVALS	
John Kine	30/09.2012

Tolerance	X ±0.15
	X.X ±0.10
	X.XX ±0.05
	Angular ±5°
View	
UNIT	MM
SCALE	1:1

DOSIN -RF CONNECTOR
Dosin Industrial (H.K) Co Ltd
 东莞市德泰五金电子制品有限公司
Dosin Hardware Electronics Co., Ltd
 E-mail: dosin2005@163.com
 dosin2005@dosin-china.com
 Web: http://www.dosin.com
 TEL: (0086) 769-81153906
 FAX: (0086) 769-81875836

Name: F Plug 90° For RG/179

SIZE	Product NO.	REV
A	DOSIN-803-0028	B

DateTime: 2012/09/30
 CAD FILE: H/company drawings/BD
 SHEET: 1 OF 1