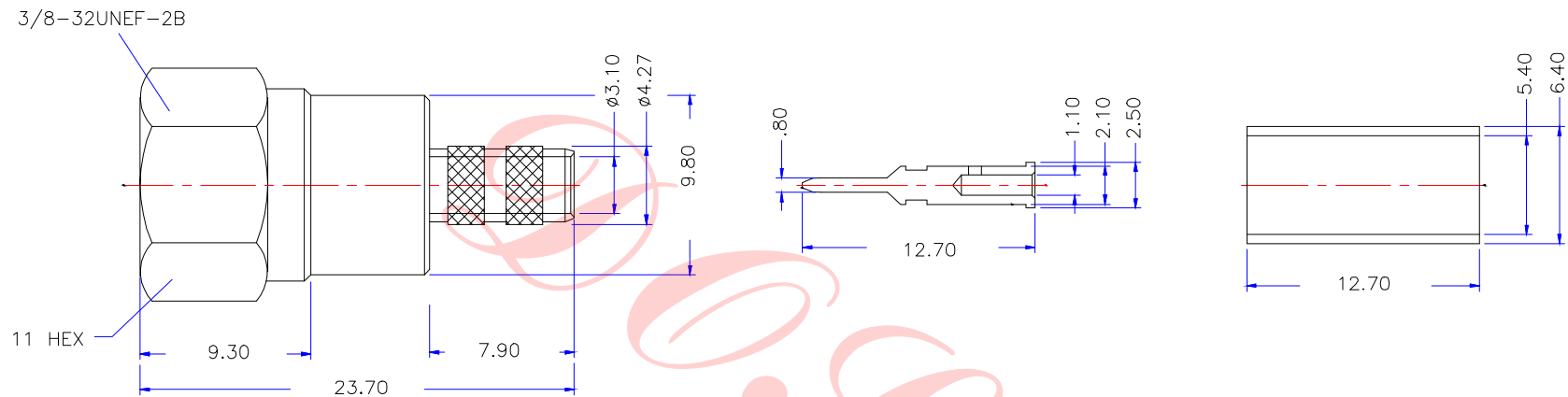




Product NO.		DOSIN-803-0025		
REV	DESCRIPTION	DWN	DATE	APPROVEN
A	First issue	Mr. CHEN	2017/06/11	John kine
B				



Specifications

Impedance: 75 Ohms

Frequency Range: DC~3G

VSWR: 30dB Return loss @ 1GHZ

Working Voltage: 15 watts continuous

Insulation Resistance: 5000 Ohms min

Temperature Range: -40°C TO +60°C

Drawings products are in line with ROHS standards

RECOMMENDED
CABLE STRIPPING DIM'S

F Jack Connector

NOTE:

Tolerance

X.	± 0.15
X.X	± 0.10
X.XX	± 0.05
Angular	$\pm 5^\circ$



Dosin Industrial(H.K)Co.Ltd

东莞市德索五金电子制品有限公司

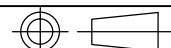
Dosin Hardware Electronics Co.,Ltd

E-mail: dosin2005@163.com
dosin2005@dosin-china.com
Web: http://www.china-guan.com
TEL: (0086) 769-81153906
FAX: (0086) 769-81875836

DRAWN
Zelin. CHEN

2017/06/
11

View



Name: F jack connector

CHECKED

UNIT

MM

SIZE

A

Product NO.

DOSIN-803-0025

REV

A

APPROVALS
John

11/06.2017

SCALE

1:1

DateTime

2017/06/11

CAD FILE

D/company drawings/BD

SHEET: 1 OF 1

DESCRIPTION	MATERIAL	FINISH	QTY
FERRULE	COPPER	NICKEL	1
CONTACT PIN	BRASS	GOLD	1
INSULATOR	TEFLON	NATURAL	1
BODY	BRASS	NICKEL	1