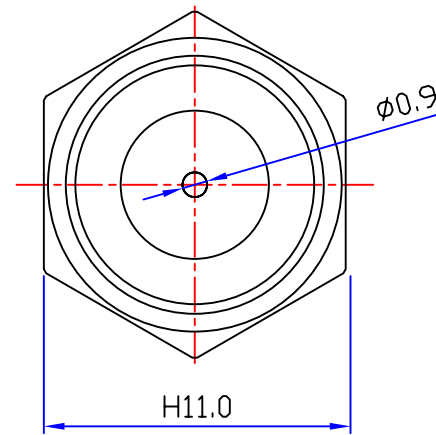
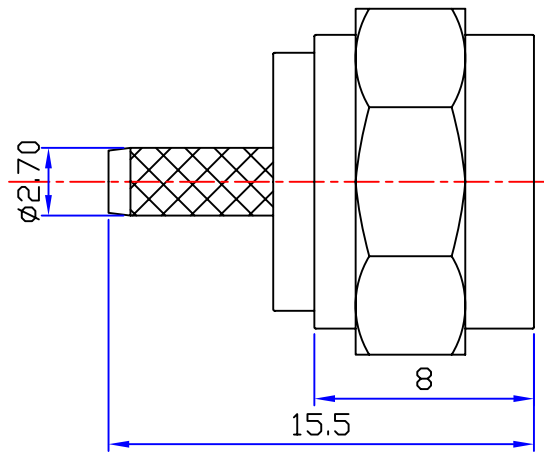


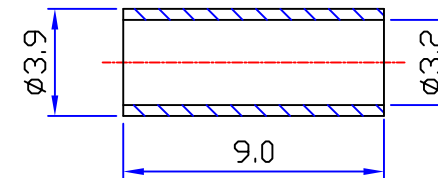
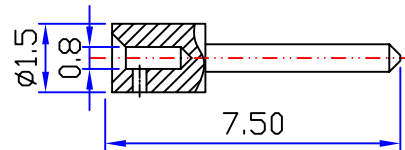


Product NO.		DOSIN-803-0023		
REV	DESCRIPTION	DWN	DATE	APPROVEN
A	First issue	Mr. Wang	2013/03/30	John kine
B				



SPECIFICATIONS:

Impedance: 75 Ohms
 Frequency Range: DC~3G
 VSWR: 30dB Return loss @ 1GHZ
 Working Voltage: 15 watts continuous
 Insulation Resistance: 5000 Ohms min
 Temperature Range: -40°C TO +60°C
 Drawings products are in line with ROHS standards



1	Shell	Brass	NI:80-120u"
2	Body	Brass	NI:80-120u"
3	Contact pin	Brass	NI:80-120u"
4	Insulation	Pom	None
5	Ferrule	Brass(C2680)	NI:80-120u"
6	Component Number	Material	Finish

NOTE:		Tolerance	X.	±0.15
DRAWN			X.X	±0.10
Zelin. Zhang	2013/03/30	X.XX	±0.05	
CHECKED		Angular	±5°	
APPROVALS		View		
John Kine	30/03/2013	UNIT	MM	
		SCALE	1:1	

Dosin Industrial (H K) Co. Ltd 东莞市德索五金电子制品有限公司 Dosin Hardware Electronics Co., Ltd		E-mail: dosin2005@163.com dosin2005@dosin-china.com Web: http://www.dosinconn.com TEL: (0086) 769-81153906 FAX: (0086) 769-81875836	
Name: F Plug Stright For 3C2V			
SIZE A	Product NO.	REV	
	DOSIN-803-0023	A	
DateTime	CAD FILE	SHEET: 1 OF 1	
2013/03/30	H/company drawings/BD		