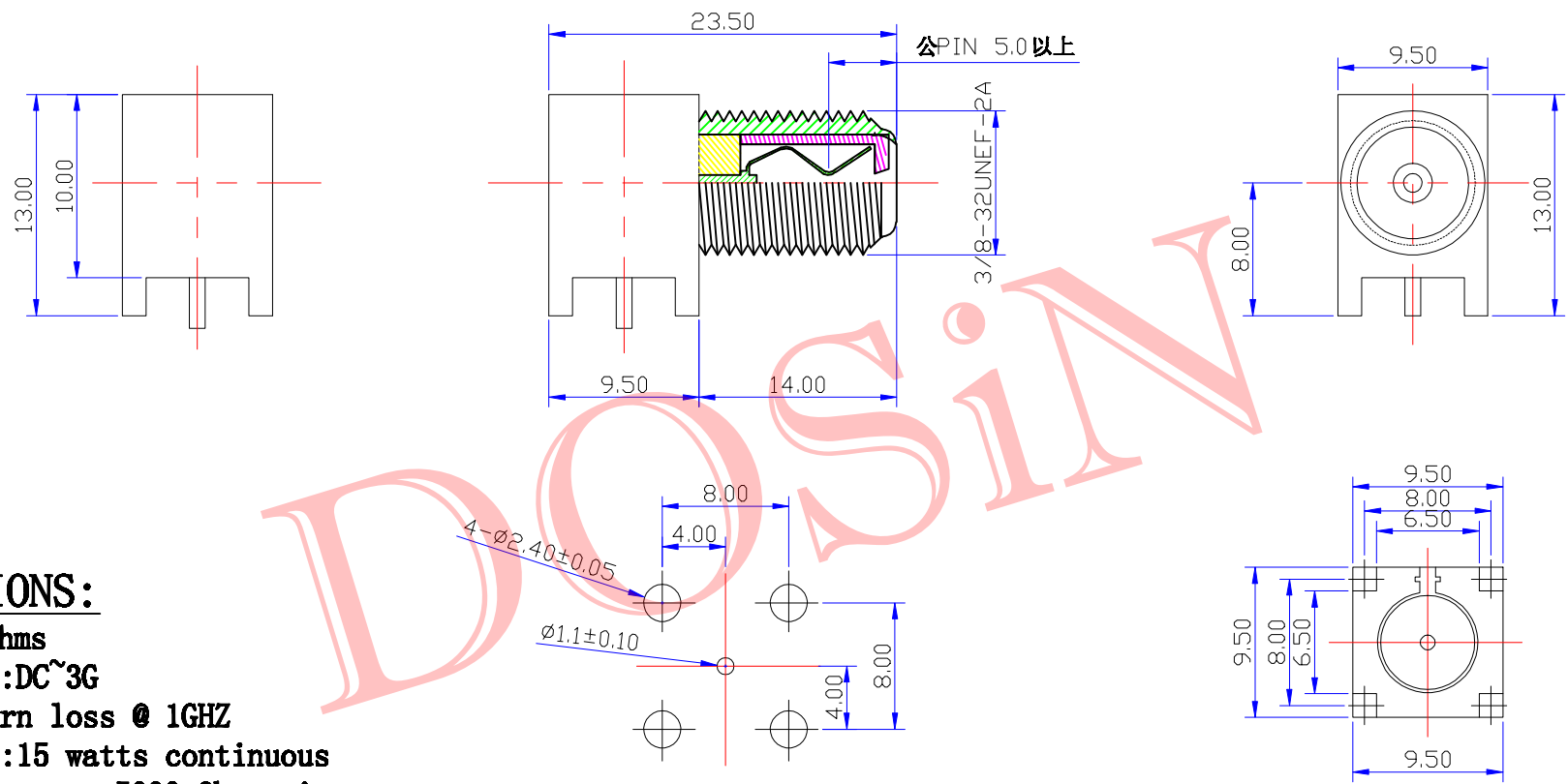




Product NO.		DOSIN-803-0011		
REV	DESCRIPTION	DWN	DATE	APPROVEN
A	First issue	Mr. Wang	2009/08/07	John kine
B	Add :DOSIN-803-0011	Zelin. Zhang	2012/05/06	John kine



SPECIFICATIONS:

Impedance: 75 Ohms
 Frequency Range: DC~3G
 VSWR: 30DdB Return loss @ 1GHZ
 Working Voltage: 15 watts continuous
 Insulation Resistance: 5000 Ohms min
 Temperature Range: -40°C TO +60°C
 Drawings products are in line with ROHS standards

PCB

1	Body	Zinc	NI:80-120u'
2	Insulator	PP	White
3	Center contact	Phosphor	SN
4			
5			
6			
7			
8			
9			
10			
NO	Component Number	Material	Finish

NOTE:	
DRAWN	2012/05/06
Zelin. Zhang	
CHECKED	
APPROVALS	
John Kine	06/05.2012

Tolerance	X ±0.15 X.X ±0.10 X.XX ±0.06 Angular ±5°
View	
UNIT	MM
SCALE	1:1

DOSiN -RF CONNECTOR **Dosin Industrial (H.K) Co Ltd**
 东莞市德索五金电子制品有限公司
 Dosin Hardware Electronics Co., Ltd

E-mail: dosin2005@163.com
 dosin2005@dosin-china.com
 Web: http://www.dosinconn.com
 TEL: (0086) 769-81153906
 FAX: (0086) 769-81875836

Name: F Jack Right angle PCB Mount

SIZE A	Product NO.	REV B
	DOSIN-803-0011	
DateTime	CAD FILE	SHEET: 1 OF 1
2012/05/06	H/company drawings/BD	