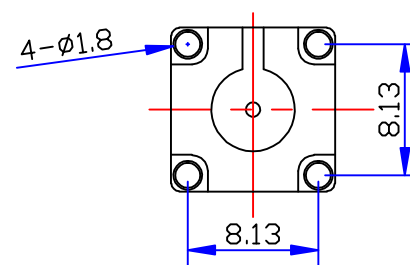
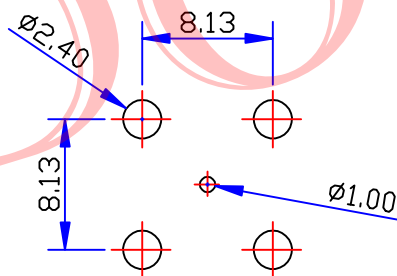
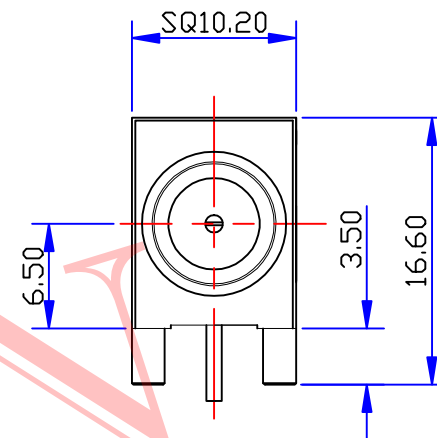
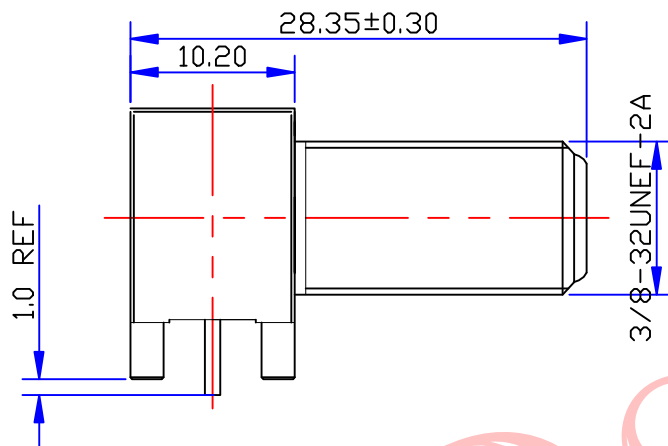


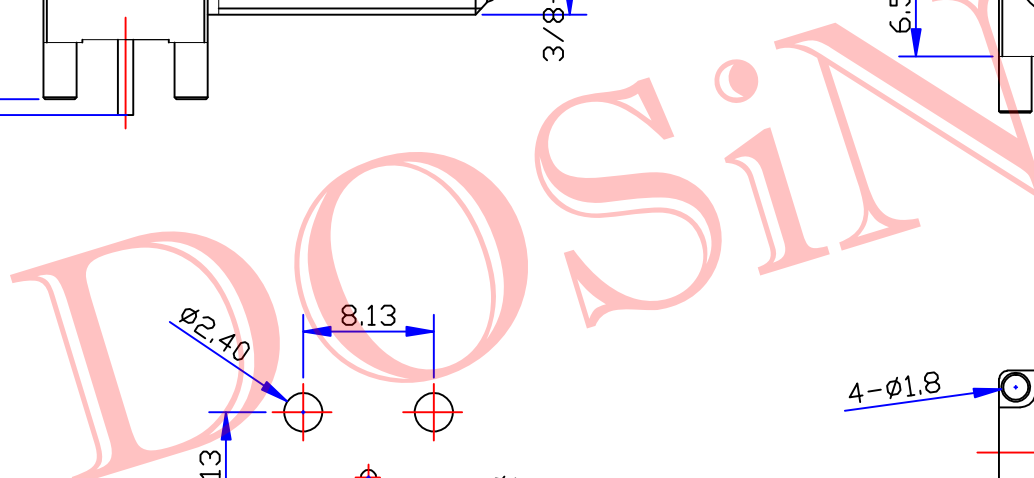


Product NO.		DOSIN-803-0003		
REV	DESCRIPTION	DWN	DATE	APPROVEN
A	First issue	Mr. Wang	2009/08/07	John kine
B	Add :DOSIN-803-0003	Zelin. Zhang	2012/05/06	John kine



**SPECIFICATIONS:**

Impedance: 75 Ohms  
 Frequency Range: DC~3G  
 VSWR: 30dB Return loss @ 1GHZ  
 Working Voltage: 15 watts continuous  
 Insulation Resistance: 5000 Ohms min  
 Temperature Range: -40°C TO +60°C  
 Drawings products are in line with ROHS standards



1	Body	Zinc	NI:80-120u"
2	Insulator	PP	White
3	Center contact	Phosphor	SN
4			
5			
6			
7			
8			
9			
10			
NO	Component Number	Material	Finish

NOTE:	
DRAWN	2012/05/06
Zelin. Zhang	06
CHECKED	
APPROVALS	
John Kine	06/05/2012

Tolerance	X ±0.15
	X.X ±0.10
	X.XX ±0.05
	Angular ±5°
View	
UNIT	MM
SCALE	1:1

<b>Dosin Industrial (HK) Co Ltd</b> 东莞市德索五金电子制品有限公司 Dosin Hardware Electronics Co., Ltd		E-mail: dosin2005@163.com dosin2005@dosin-china.com Web: http://www.dosinconn.com TEL: (0086) 769-81153906 FAX: (0086) 769-81875836	
Name: F Jack Right angle PCB Mount			
SIZE A	Product NO.	DOSIN-803-0003	REV B
DateTime	CAD FILE	SHEET: 1 OF 1	
2012/05/06	H/company drawings/BD		