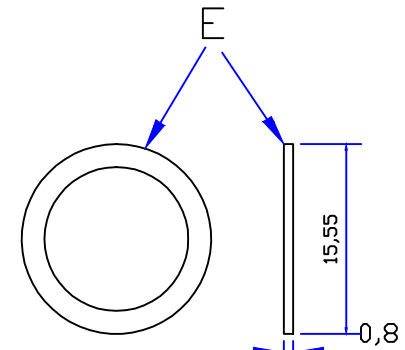
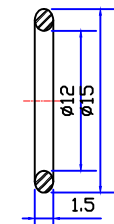
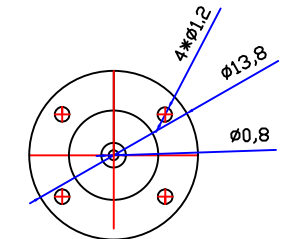
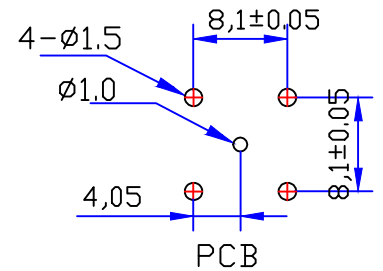
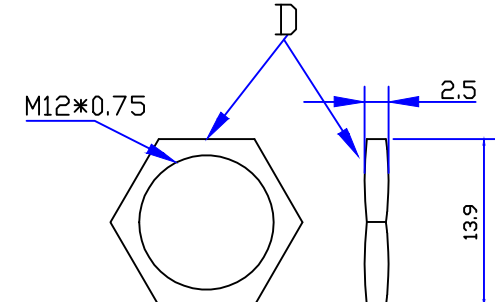
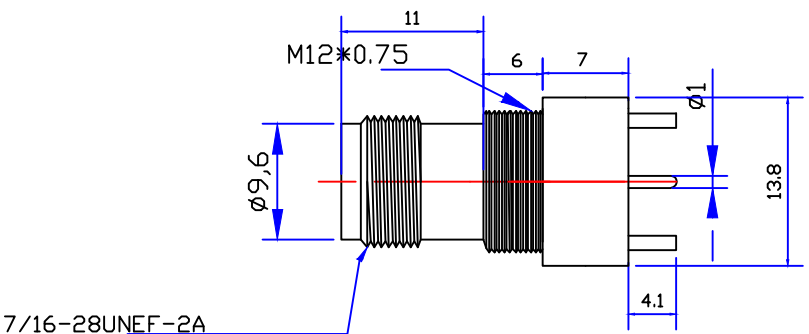




Product NO.		DOSIN-802-0051		
REV	DESCRIPTION	DWN	DATE	APPROVEN
	First issue	Mr. CHEN	2017/04/27	John kine



SPECIFICATIONS:

IMPEDANCE: 75 ohms
 FREQUENCY RANGE: 0~3GHZ
 VSWR: 1.5MAX
 WORKING VOLTAGE: 500V RMS@SEA LEVEL
 INSULATION RESISTANCE: 5000 ohms min
 TEMPERATURE RANGE: -55°C TO +155°C
 RELATIVE TEMPERATURE: ≤ 95%(40°C±2°C)

NOTE:

	GASKET	SILICONE	RED	1
E	WASHER	TE	NICKEL	1
D	NUT	BRASS	NICKEL	1
C	INSULATOR	TEFLON	NONE	1
B	CONTACT PLATING	BRASS	GOLD	1
A	BODY	BRASS	NICKEL	1
NO	DESCRIPTION	MATERIAL	FINISHED	QTY

DRAWN: Zelin. CHEN
 CHECKED:
 APPROVALS: John Kine

Tolerance	X. ±0.15 X.X ±0.10 X.XX ±0.05 Angular ±5°
View	
UNIT	MM
SCALE	1:1

Dosin Industrial (HK) Co., Ltd
 东莞市德索五金电子制品有限公司
Dosin Hardware Electronics Co., Ltd
 E-mail: dosin2005@163.com
 dosin2005@dosin-china.com
 Web: http://www.dosinconn.com
 TEL: (0086) 769-81153906
 FAX: (0086) 769-81875836

Name: TNC JACK FOR. PCB CONNECTOR
 SIZE A Product NO. DOSIN-802-0051 REV A
 DateTime 2017/04/27 CAD FILE H/company drawings/BD SHEET: 1 OF 1