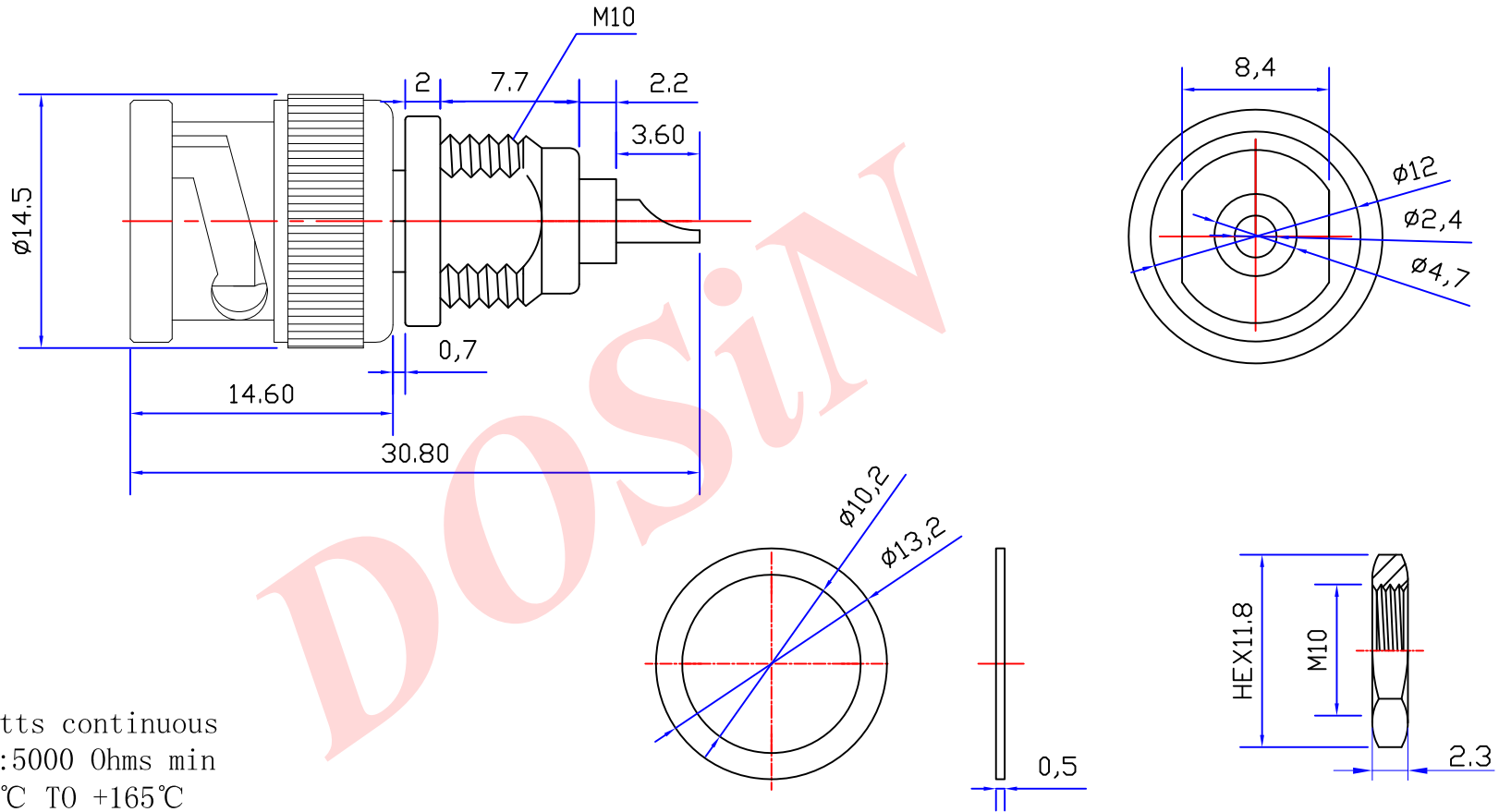




Product NO.		DOSIN-801-0391		
REV	DESCRIPTION	DWN	DATE	APPROVEN
A	First issue	Mr.chen	2016/12/03	John kine
B				



SPECIFICATIONS:

Impedance: 50 Ohms
 Frequency Range: DC~3G
 VSWR: 1.3MAX
 Working Voltage: 15 watts continuous
 Insulation Resistance: 5000 Ohms min
 Temperature Range: -65°C TO +165°C
 Drawings products are in line with ROHS standards

1	BODY	BRASS	NICKEL	1
2	CONDUCTOR	BRASS	GOLD	1
3	INSULATION	Teflon	None	1
4	NUT	Brass	NICKEL	1
5	WASHER	Brass	NICKEL	1
6				
7				
8				
9				
10				
NO	Component Number	Material	Finish	Q' TY

NOTE:		Tolerance	X.	± 0.15
DRAWN			X.X	± 0.10
Zelin.chen		View	X.XX	± 0.05
CHECKED			Angular	$\pm 5^\circ$
APPROVALS		UNIT	MM	
		SCALE	1:1	

Dosin Industrial (HK) Co., Ltd 东莞市德索五金电子制品有限公司 Dosin Hardware Electronics Co., Ltd		E-mail: dosin2005@163.com dosin2005@dosin-china.com Web: http://www.dosinconn.com TEL: (0086) 769-81153906 FAX: (0086) 769-81875836	
Name: BNC PLUG CONNECTOR		SIZE	Product NO.
		A	DOSIN-801-0391
Date	Time	CAD FILE	REV
2016/12/03		H/company drawings/BD	A
SHEET: 1 OF 1			