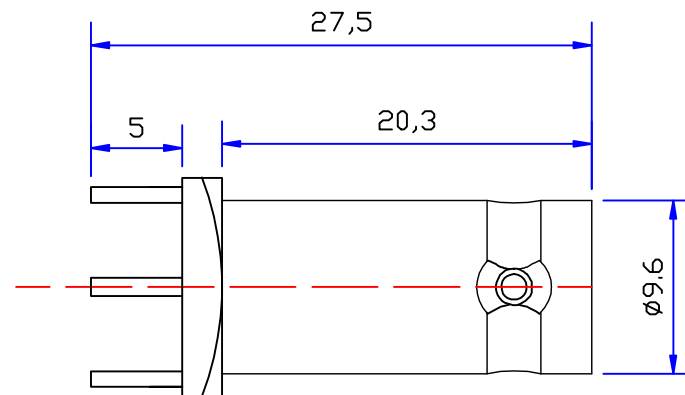
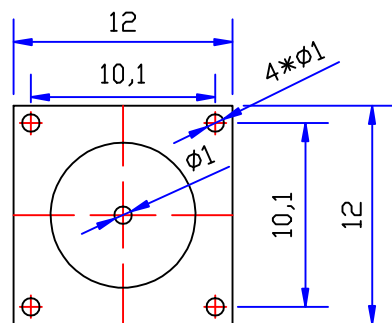
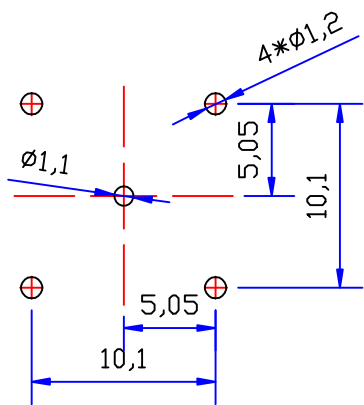




Customer NO:		DOSIN-801-0377		
REV	DESCRIPTION	DWN	DATE	APPROVEN
A	First issue	Mr. CHEN	2016/8/29	John kine
B				



PCB

Specifications:

IMPEDANCE: 50 Ohms
 Frequency range: 0~6GHZ
 VSWR: 1.5MAX
 Working voltage: 500V rms @ sea level
 Insulation resistance: 5000 Ohms min
 Temperature range: -55°C TO +155°C
 Relative temperature: ≤95% (40° C ± 2° C)

NOTE:

Tolerance

X	±0.15
X X	±0.10
X XX	±0.05
Angular	±5°



Dosin Industrial (HK) Co., Ltd

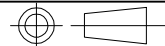
东莞市德索五金电子制品有限公司

Dosin Hardware Electronics Co., Ltd

E-mail: dosin2005@163.com
 dosin2005@dosin-china.com
 Web: http://www.dosinconn.com
 TEL: (0086) 769-81153906
 FAX: (0086) 769-81875836

DRAWN
 Zelin. CHEN
 CHECKED

View



UNIT

MM

SCALE

1:1

Name: BNC JACK CONNECTOR

SIZE A Product NO. DOSIN-801-0377 REV A

DateTime 2016/8/29

CAD FILE H/company drawings/BD

SHEET: 1 OF 1

DESCRIPTION	MATERIAL	FINISH	QTY
CONTACT PIN	BRASS	GOLD	1
INSULATOR	POM	NONE	1
BODY	BRASS	NICKEL	1

APPROVALS
 John Kine