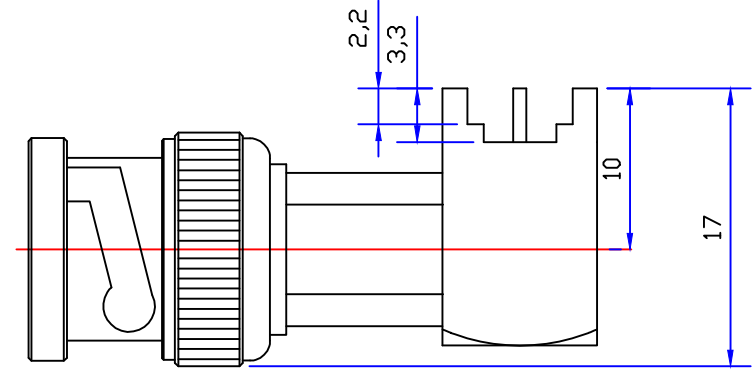
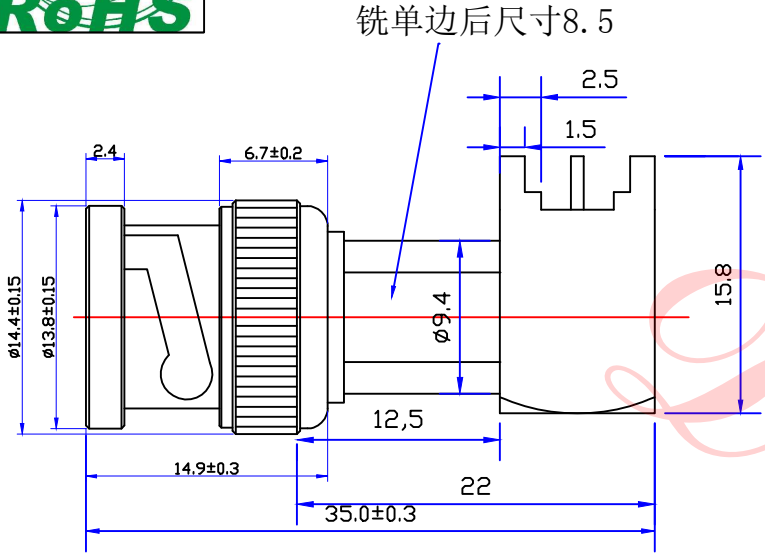


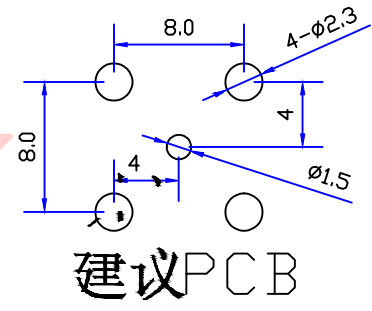
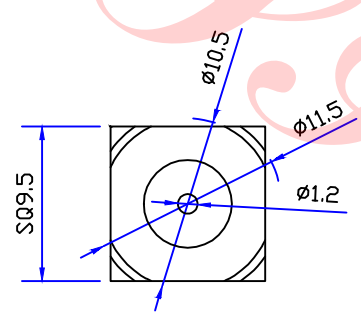


Customer NO:		DOSIN-801-0244		
REV	DESCRIPTION	DWN	DATE	APPROVEN
A	First issue	Mr. CHEN	2016/8/29	John kine
B				



Specifications:

- IMPEDANCE: 75 Ohms
- Frequency range: 0~6GHZ
- VSWR: 1.5MAX
- Working voltage: 500V rms @ sea level
- Insulation resistance: 5000 Ohms min
- Temperature range: -55°C TO +155°C
- Relative temperature: ≤95%(40° C±2° C)



8						
7						
6						
5						
4						
3	CONTACT PIN	BRASS	GOLD	1		
2	INSULATOR	POM	NONE	1		
1	BODY	BRASS	NICKEL	1		
N	DESCRIPTION	MATERIAL	FINISH	QTY		

NOTE:		Tolerance	X.	±0.15
			X.X	±0.10
		View	X.XX	±0.05
			Angular	±5°
DRAWN Zelin. CHEN		UNIT	MM	
CHECKED			SCALE	1:1
APPROVALS John				

Dosin Industrial (H.K) Co. Ltd 东莞市德索五金电子制品有限公司 Dosin Hardware Electronics Co., Ltd		E-mail: dosin2005@163.com dosin2005@dosin-china.com Web: http://www.dosinconn.com TEL: (0086) 769-81153906 FAX: (0086) 769-81875836	
Name: BNC PLUG PCB CONNECTOR			
SIZE A	Product NO.	DOSIN-801-0244	REV A
DateTime 2016/8/29	CAD FILE H/company drawings/BD	SHEET: 1 OF 1	